

5.23/5.26 Tube clamp

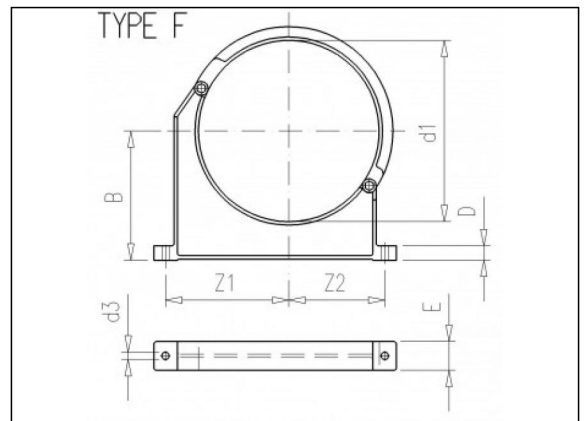
Product information

Material

- PP = Polypropylene

Manufacture

- Injection moulded



Available items

ART.CODE	d1	Norm	d3	Z1	Z2	B	D	E	Type	Verp
5.23.504	4	BS/A NSI	9	100	82	120	15	33	F	40
5.23.506	6	BS/A NSI	11	136	111	147	20	35	F	20
5.23.508	8	BS/A NSI	13	165	135	177	25	40	F	10
5.26.090	3	BS/A NSI	9	89	71	105	15	33	F	60
5.26.140	5	BS/A NSI	11	121	99	130	20	35	F	20

Van de Lande BV

Lissenveld 1 \ 4941 VK Raamsdonksveer \ The Netherlands \ t +31 (0)162 51 60 00 \ f +31 (0)162 52 14 17 \ sales@vandelande.com
 Traderegister Tilburg: 18070844 \ IBAN: NL13 RABO 0143 0035 26 \ BIC: RABONL2U \ VAT: NL 8123.91.755.B01