

## 6.14 Ball Valve ISO Top

### Product information

#### Material

- PVC-U = Unplasticised Polyvinylchloride

#### Gaskets

- EPDM

#### Manufacture

- Injection moulded

### Parts

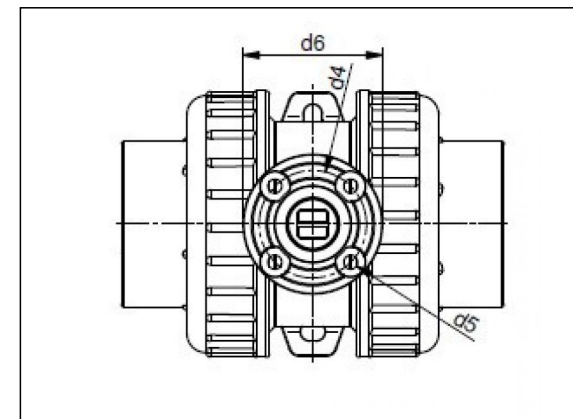


6.27 Collar solvent socket (parts)

6.24 Union nut ball valve (parts)

6.40 Replacement kit E.P.D.M.

3.60 Adaptor union type A



### Van de Lande BV

Lissenveld 1 \ 4941 VK Raamsdonksveer \ The Netherlands \ t +31 (0)162 51 60 00 \ f +31 (0)162 52 14 17 \ sales@vandelande.com  
Traderegister Tilburg: 18070844 \ IBAN: NL13 RABO 0143 0035 26 \ BIC: RABONL2U \ VAT: NL 8123.91.755.B01

All our transactions are subject to the Van de Lande General Terms of Sale. A copy of these can be provided immediately upon your request.

**Available items**

ART.CODE	d1	d2	d3	Z1	Z2	C	DN	PN	d4	d5	d6	E	S	ISO52 11	Torque (min.)	Type	Verp
6.14.033	1	73	25	64	60.5	110	25	16	42	5.5	54	11	11	F04-Y- L-11	4.5Nm	A	12
6.14.051	1 1/2"	102	40	87	81.5	150	40	16	50	6.5	65	15	14	F05-Y- L-14	7.5Nm	A	6
6.14.064	2"	124	50	102	93.5	180	50	16	50	6.5	65	15	14	F05-Y- L-14	11Nm	B	6

**Van de Lande BV**

Lissenveld 1 \ 4941 VK Raamsdonksveer \ The Netherlands \ t +31 (0)162 51 60 00 \ f +31 (0)162 52 14 17 \ sales@vandelande.com

Traderegister Tilburg: 18070844 \ IBAN: NL13 RABO 0143 0035 26 \ BIC: RABONL2U \ VAT: NL 8123.91.755.B01

All our transactions are subject to the Van de Lande General Terms of Sale. A copy of these can be provided immediately upon your request.