

6.65 Checkvalve

Product information

Characteristics

- INOX

Material

- PVC-U = Unplasticised Polyvinylchloride

Gaskets

- EPDM

Manufacture

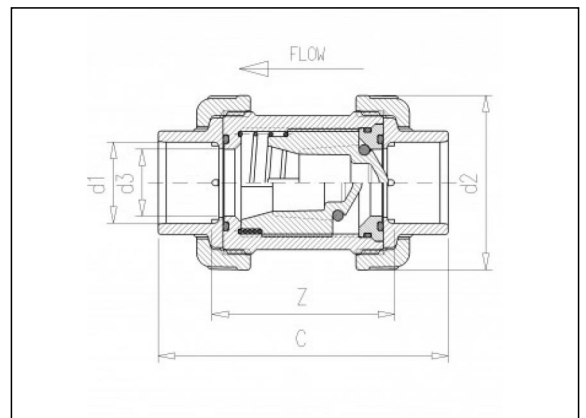
- Injection moulded



Parts



6.27 Collar solvent socket (parts)



Available items

| ART.CODE | d1 | d2 | d3 | Z | C | DN | PN | P | KV | Verp |
|----------|-------|-------|----|------|-------|-----|----|------|------|------|
| 6.60.075 | 2 1/2 | 151 | 67 | 164 | 252 | 65 | 10 | 0.10 | 1933 | 5 |
| 6.65.020 | 1/2 | 59 | 17 | 58 | 91 | 15 | 16 | 0.05 | 147 | 50 |
| 6.65.025 | 3/4 | 64 | 22 | 62.5 | 101.5 | 20 | 16 | 0.05 | 263 | 50 |
| 6.65.032 | 1 | 73 | 27 | 75.5 | 120.5 | 25 | 16 | 0.05 | 288 | 50 |
| 6.65.040 | 1 1/4 | 86 | 33 | 90 | 143 | 32 | 16 | 0.05 | 682 | 30 |
| 6.65.050 | 1 1/2 | 102 | 40 | 108 | 171 | 40 | 16 | 0.05 | 1052 | 10 |
| 6.65.063 | 2 | 124 | 50 | 136 | 210 | 50 | 16 | 0.05 | 1658 | 10 |
| 6.65.090 | 3 | 178.5 | 83 | 188 | 291 | 80 | 10 | 0.1 | 3166 | 1 |
| 6.65.110 | 4 | 215.5 | 99 | 220 | 348 | 100 | 10 | 0.1 | 4650 | 1 |

Van de Lande BV

Lispenveld 1 \ 4941 VK Raamsdonksveer \ The Netherlands \ t +31 (0)162 51 60 00 \ f +31 (0)162 52 14 17 \ sales@vandelande.com
 Traderegister Tilburg: 18070844 \ IBAN: NL13 RABO 0143 0035 26 \ BIC: RABONL2U \ VAT: NL 8123.91.755.B01

ART.CODE d1 d2 d3 Z C DN PN P KV Verp

Van de Lande BV

Lissenveld 1 \ 4941 VK Raamsdonksveer \ The Netherlands \ t +31 (0)162 51 60 00 \ f +31 (0)162 52 14 17 \ sales@vandelande.com
Traderegister Tilburg: 18070844 \ IBAN: NL13 RABO 0143 0035 26 \ BIC: RABONL2U \ VAT: NL 8123.91.755.B01

All our transactions are subject to the Van de Lande General Terms of Sale. A copy of these can be provided immediately upon your request.