

# 6.81 Slide Valve IL

## Product information

**Material**

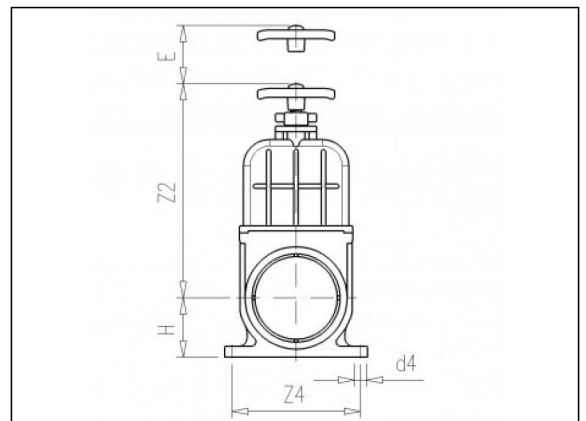
- PVC-U = Unplasticised Polyvinylchloride

**Gaskets**

- EPDM

**Manufacture**

- Injection moulded



## Available items

ART.CODE	d1	d2	d4	Z1	Z2	Z4	B	E	H	P max	Verp
6.81.111	4	92	9	54	290	158	61	107	81	0.5	3

**Van de Lande BV**

Lissenveld 1 \ 4941 VK Raamsdonksveer \ The Netherlands \ t +31 (0)162 51 60 00 \ f +31 (0)162 52 14 17 \ sales@vandelande.com  
 Traderegister Tilburg: 18070844 \ IBAN: NL13 RABO 0143 0035 26 \ BIC: RABONL2U \ VAT: NL 8123.91.755.B01