

# 6.81 Slide valve

## Product information

**Material**

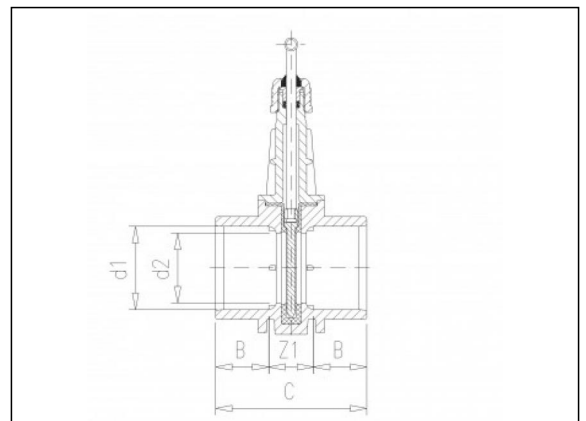
- PVC-U = Unplasticised Polyvinylchloride

**Gaskets**

- EPDM

**Manufacture**

- Injection moulded



## Available items

ART.CODE	d1	d2	d4	Z1	Z2	Z4	B	C	E	H	Verp
6.80.075	2 1/2	64	9	39	187	112	44	127	73	57.5	8
6.81.050	1 1/2	42	7	29	139	76	31	91	52	40	25
6.81.063	2	54	9	38	164	98	38	114	65	51.5	12
6.81.090	3	76	9	45	218	138	51	148	91	71	6
6.81.110	4	92	9	55	250	158	61	177	108	81	4

**Van de Lande BV**

Lissenveld 1 \ 4941 VK Raamsdonksveer \ The Netherlands \ t +31 (0)162 51 60 00 \ f +31 (0)162 52 14 17 \ sales@vandelande.com  
 Traderegister Tilburg: 18070844 \ IBAN: NL13 RABO 0143 0035 26 \ BIC: RABONL2U \ VAT: NL 8123.91.755.B01