

1.05/1.06 Bend 90°

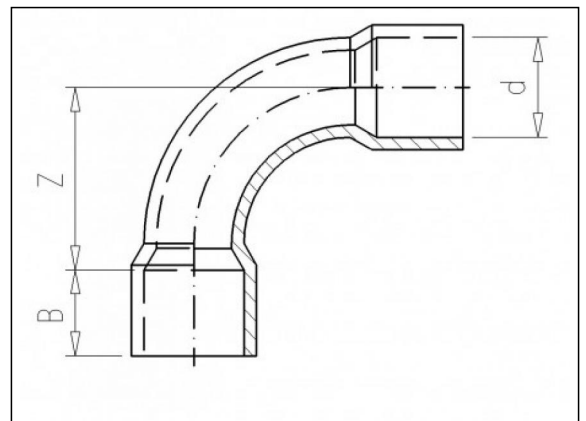
Product information

Material

- PVC-U = Unplasticised Polyvinylchloride

Manufacture

- Made of tube



Available items

ART.CODE	d	Z	B	PN	Verp
1.05.032	32	60	22-25	10	350
1.05.040	40	76	26-30	10	200
1.05.050	50	92	31-35	10	100
1.05.063	63	102	38-43	10	60
1.05.075	75	118	44-51	10	35
1.05.090	90	142	51-59	10	20
1.05.110	110	175	61-70	12.5	10
1.05.125	125	200	69-79	12.5	8
1.05.140	140	236	76-87	12.5	5

Van de Lande BV

Lissenveld 1 \ 4941 VK Raamsdonksveer \ The Netherlands \ t +31 (0)162 51 60 00 \ f +31 (0)162 52 14 17 \ sales@vandelande.com
Traderegister Tilburg: 18070844 \ IBAN: NL13 RABO 0143 0035 26 \ BIC: RABONL2U \ VAT: NL 8123.91.755.B01

ART.CODE	d	Z	B	PN	Verp
1.05.160	160	260	86-99	12.5	4
1.05.200	200	330	106-1 22	125	16
1.05.225	225	380	119-1 36	12.5	10
1.05.250	250	390	131-1 51	12.5	8
1.05.280	280	480	146-1 68	12.5	6
1.05.315	315	625	164-1 88	12.5	4
1.06.032	32	60	22-25	16	175
1.06.040	40	76	26-30	16	100
1.06.050	50	92	31-35	16	80
1.06.063	63	102	38-43	16	45
1.06.075	75	118	44-51	16	25
1.06.090	90	142	51-59	16	15

Van de Lande BV

Lissenveld 1 \ 4941 VK Raamsdonksveer \ The Netherlands \ t +31 (0)162 51 60 00 \ f +31 (0)162 52 14 17 \ sales@vandelande.com
Traderegister Tilburg: 18070844 \ IBAN: NL13 RABO 0143 0035 26 \ BIC: RABONL2U \ VAT: NL 8123.91.755.B01

www.vandelande.com

All our transactions are subject to the Van de Lande General Terms of Sale. A copy of these can be provided immediately upon your request.