

# 1.13 4d radius bend 45°

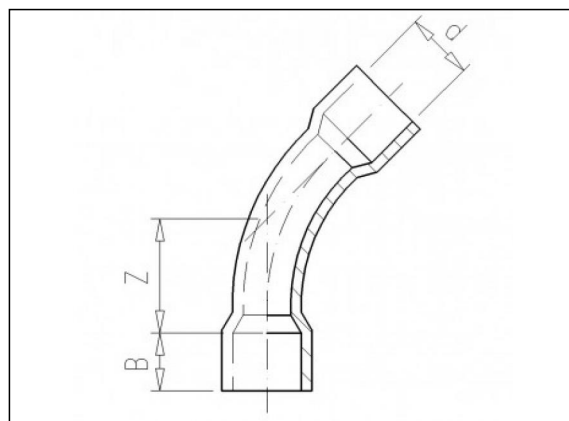
## Product information

### Material

- PVC-U = Unplasticised Polyvinylchloride

### Manufacture

- Made of tube



## Available items

ART.CODE	d	Z	B	PN	Verp
1.13.063	63	110	38-43	10	50

### Van de Lande BV

Lissenveld 1 \ 4941 VK Raamsdonksveer \ The Netherlands \ t +31 (0)162 51 60 00 \ f +31 (0)162 52 14 17 \ sales@vandelande.com  
Traderegister Tilburg: 18070844 \ IBAN: NL13 RABO 0143 0035 26 \ BIC: RABONL2U \ VAT: NL 8123.91.755.B01

All our transactions are subject to the Van de Lande General Terms of Sale. A copy of these can be provided immediately upon your request.