

1.15/1.16 Bend 45°

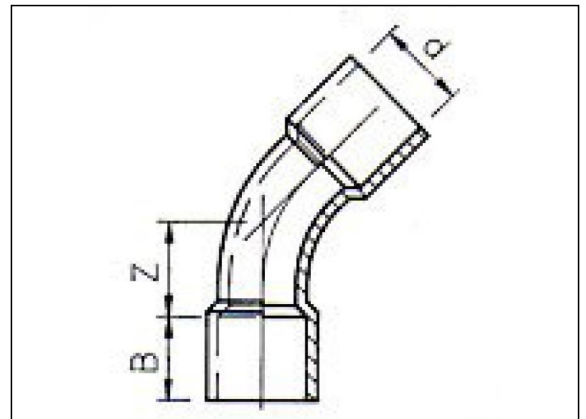
Product information

Material

- PVC-U = Unplasticised Polyvinylchloride

Manufacture

- Made of tube



Available items

ART.CODE	d	Z	B	PN	Verp
1.15.032	32	26	22-25	10	300
1.15.040	40	36	26-30	10	150
1.15.050	50	40	31-35	10	150
1.15.063	63	46	38-43	10	90
1.15.075	75	54	44-51	10	50
1.15.090	90	63	51-59	10	30
1.15.110	110	80	61-70	12.5	15
1.15.125	125	89	69-79	12.5	10
1.15.140	140	98	76-87	12.5	7

Van de Lande BV

Lissenveld 1 \ 4941 VK Raamsdonksveer \ The Netherlands \ t +31 (0)162 51 60 00 \ f +31 (0)162 52 14 17 \ sales@vandelande.com
Traderegister Tilburg: 18070844 \ IBAN: NL13 RABO 0143 0035 26 \ BIC: RABONL2U \ VAT: NL 8123.91.755.B01

All our transactions are subject to the Van de Lande General Terms of Sale. A copy of these can be provided immediately upon your request.

ART.CODE	d	Z	B	PN	Verp
1.15.160	160	119	86-99	12.5	5
1.15.200	200	143	106-1 22	12.5	24
1.15.225	225	166	119-1 36	12.5	15
1.15.250	250	190	131-1 51	12.5	12
1.15.280	280	214	146-1 68	12.5	9
1.15.315	315	236	164-1 88	12.5	6
1.16.032	32	26	22-25	16	350
1.16.040	40	36	26-30	16	150
1.16.050	50	40	31-35	16	125
1.16.063	63	46	38-43	16	60
1.16.075	75	54	44-51	16	40
1.16.090	90	77	51-59	16	20

Van de Lande BV

Lissenveld 1 \ 4941 VK Raamsdonksveer \ The Netherlands \ t +31 (0)162 51 60 00 \ f +31 (0)162 52 14 17 \ sales@vandelande.com
Traderegister Tilburg: 18070844 \ IBAN: NL13 RABO 0143 0035 26 \ BIC: RABONL2U \ VAT: NL 8123.91.755.B01

www.vandelande.com

All our transactions are subject to the Van de Lande General Terms of Sale. A copy of these can be provided immediately upon your request.