

2.03 Reducing tee 90°

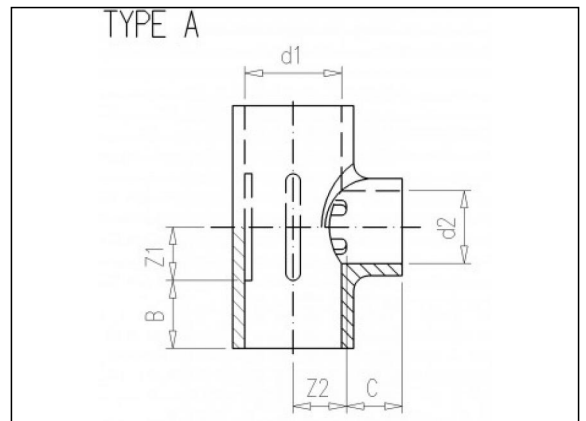
Product information

Material

- PVC-U = Unplasticised Polyvinylchloride

Manufacture

- Injection moulded



Available items

ART.CODE	d1	d2	d3	Z1	Z2	Z3	B	C	D	Type	PN	Verp
2.03.005	25	16		14	16		19	14		A	16	250
2.03.010	25	20		14	14		19	16		A	16	300
2.03.013	32	16		18	19		22	14		A	16	200
2.03.015	32	20		18	17		22	16		A	16	250
2.03.020	32	25		18	17		22	19		A	16	200
2.03.022	40	16		23	24		26	14		A	16	150
2.03.023	40	20		23	23		26	16		A	16	150
2.03.025	40	25		23	23		26	19		A	16	140
2.03.031	40	32		23	23		26	22		A	10	140

Van de Lande BV

Lissenveld 1 \ 4941 VK Raamsdonksveer \ The Netherlands \ t +31 (0)162 51 60 00 \ f +31 (0)162 52 14 17 \ sales@vandelande.com
 Traderegister Tilburg: 18070844 \ IBAN: NL13 RABO 0143 0035 26 \ BIC: RABONL2U \ VAT: NL 8123.91.755.B01

ART.CODE	d1	d2	d3	Z1	Z2	Z3	B	C	D	Type	PN	Verp
2.03.032	40	32		23	23		26	22		A	16	140
2.03.033	50	20		28	30.5		31	16		A	16	100
2.03.035	50	25		28	29.5		31	19		A	16	50
2.03.041	50	32		28	28.5		31	22		A	10	90
2.03.042	50	32		28	28.5		31	22		A	16	90
2.03.046	50	40		28	29		31	26		A	10	70
2.03.047	50	40	50	28	38	33	31	26	31	C	10	75
2.03.048	50	40		28	28.5		31	26		A	16	70
2.03.049	63	20		34	37		38	16		A	16	50
2.03.050	63	25		34	34		38	19		A	16	50
2.03.055	63	32		34	36		38	22		A	16	50
2.03.060	63	40		34	32.5		38	26		A	16	45
2.03.063	63	40	50	34	46.5	41	38	26	31	C	16	40
2.03.065	63	50		34	34		38	31		A	16	40
2.03.070	75	32		40	40,5		44	22		A	16	30
2.03.075	75	40		40	40.5		44	26		A	16	30
2.03.080	75	50		40	40.5		44	31		A	16	28
2.03.085	75	63		40	40.5		44	38		A	16	25
2.03.090	90	32		46	55		51	22		A	16	17
2.03.094	90	40		46	60		51	26		A	16	17
2.03.095	90	50		46	55		51	31		A	16	17
2.03.097	90	63		46	55		51	38		A	16	15
2.03.100	90	75		46	55		51	44		A	16	14
2.03.105	110	32		56	66.5		61	22		A	16	9
2.03.107	110	40		56	72		61	26		A	16	9
2.03.110	110	50		56	66.5		61	31		A	16	9
2.03.111	110	63		56	65		61	38		A	16	9
2.03.112	110	75		56	65		61	44		A	16	8
2.03.115	110	90		56	65		61	51		A	16	7
2.03.120	125	50		64	75		69	31		A	16	4
2.03.123	125	63		64	87		69	38		B	16	4
2.03.124	125	75		64	81		69	44		B	16	4
2.03.125	125	90		64	75		69	51		A	16	4
2.03.126	125	110		66	74		69	61		B	16	4
2.03.130	140	50		71.5	82		76	31		A	16	4

Van de Lande BV

Lissenveld 1 \ 4941 VK Raamsdonksveer \ The Netherlands \ t +31 (0)162 51 60 00 \ f +31 (0)162 52 14 17 \ sales@vandelande.com
 Traderegister Tilburg: 18070844 \ IBAN: NL13 RABO 0143 0035 26 \ BIC: RABONL2U \ VAT: NL 8123.91.755.B01

www.vandelande.com

All our transactions are subject to the Van de Lande General Terms of Sale. A copy of these can be provided immediately upon your request.

ART.CODE	d1	d2	d3	Z1	Z2	Z3	B	C	D	Type	PN	Verp
2.03.135	140	75		71.5	78		76	44		A	16	4
2.03.137	140	90		71.5	81		76	51		B	16	4
2.03.140	140	110		71.5	73.5		76	61		A	16	4
2.03.153	160	75		81	98		86	44		B	16	2
2.03.154	160	90		81	91		86	51		B	16	2
2.03.155	160	110		81	81		86	61		A	16	2
2.03.156	160	125		81	100		86	69		B	16	2
2.03.165	200	110		106	131		107	61		B	10	1
2.03.170	200	160		106	106		107	86		A	10	1
2.03.185	225	110		119	143		120	61		B	10	1
2.03.190	225	160		119	119		120	86		A	10	1
2.03.205	250	160		131	151		132	86		B	10	1
2.03.210	250	200		131	131		132	106		A	10	1
2.03.225	280	160		120	180		146	86		B	10	1
2.03.230	280	225		120	149		146	119		A	10	1
2.03.245	315	160		120	197		164	86		B	10	1
2.03.250	315	225		120	165		164	119		A	10	1
2.03.265	400	225		163	258		206	119		B	6	1
2.03.270	400	315		163	213		206	164		A	6	1

Van de Lande BV

Lissenveld 1 \ 4941 VK Raamsdonksveer \ The Netherlands \ t +31 (0)162 51 60 00 \ f +31 (0)162 52 14 17 \ sales@vandelande.com
 Traderegister Tilburg: 18070844 \ IBAN: NL13 RABO 0143 0035 26 \ BIC: RABONL2U \ VAT: NL 8123.91.755.B01

www.vandelande.com

All our transactions are subject to the Van de Lande General Terms of Sale. A copy of these can be provided immediately upon your request.