

2.26 Elbow 90° (reducing)

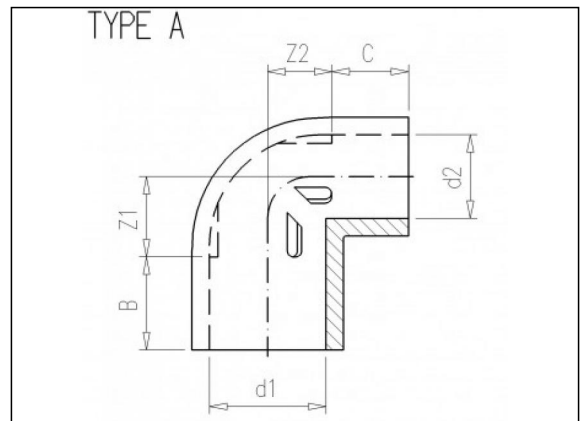
Product information

Material

- PVC-U = Unplasticised Polyvinylchloride

Manufacture

- Injection moulded



Available items

ART.CODE	d1	d2	Z1	Z2	Z3	B	C	Type	PN	Verp
2.26.011	40	32	23	23	-	26	22	A	10	200
2.26.021	50	32	28	33	-	31	22	A	10	150
2.26.031	50	40	28	29	-	31	26	A	10	135
2.26.032	50	40	30	33	38	31	26	B	10	100
2.26.042	63	50	46	44	50	37.5	31	B	10	50

Van de Lande BV

Lissenveld 1 \ 4941 VK Raamsdonksveer \ The Netherlands \ t +31 (0)162 51 60 00 \ f +31 (0)162 52 14 17 \ sales@vandelande.com
 Traderegister Tilburg: 18070844 \ IBAN: NL13 RABO 0143 0035 26 \ BIC: RABONL2U \ VAT: NL 8123.91.755.B01