

2.28 Elbow 90°

Product information

Characteristics

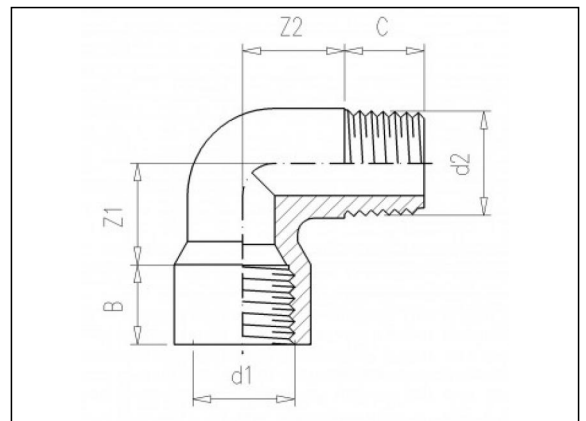
- BSP male thread
- BSP female thread

Material

- PVC-U = Unplasticised Polyvinylchloride

Manufacture

- Injection moulded



Available items

ART.CODE	d1	d2	Z1	Z2	B	C	PN	Verp
2.28.020	1/2" (F)	1/2" (M)	20.5	20.5	16	16	10	200
2.28.025	3/4" (F)	3/4" (M)	24.5	24.5	17	17	10	300
2.28.032	1" (F)	1" (M)	30	30	21	21	10	200

Van de Lande BV

Lissenveld 1 \ 4941 VK Raamsdonksveer \ The Netherlands \ t +31 (0)162 51 60 00 \ f +31 (0)162 52 14 17 \ sales@vandelande.com
 Traderegister Tilburg: 18070844 \ IBAN: NL13 RABO 0143 0035 26 \ BIC: RABONL2U \ VAT: NL 8123.91.755.B01