

2.40 Elbow 90°

Product information

Characteristics

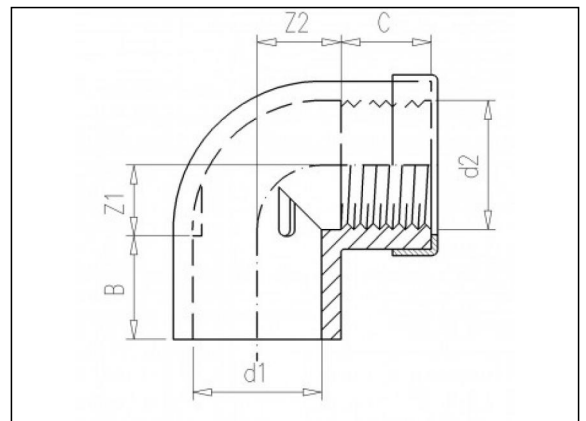
- BSP female thread
- INOX Reinforcement

Material

- PVC-U = Unplasticised Polyvinylchloride

Manufacture

- Injection moulded



Available items

ART.CODE	d1	d2	Z1	Z2	B	C	PN	Verp
2.40.016	16	3/8" (F)	9	11	14	12	16	50
2.40.020	20	1/2" (F)	11	11	16	16	16	50
2.40.025	25	3/4" (F)	14	16	19	17	16	50
2.40.032	32	1" (F)	17	18	22	21	16	50
2.40.040	40	1 1/4" (F)	22	26	27	23	16	50

Van de Lande BV

Lissenveld 1 \ 4941 VK Raamsdonksveer \ The Netherlands \ t +31 (0)162 51 60 00 \ f +31 (0)162 52 14 17 \ sales@vandelande.com
 Traderegister Tilburg: 18070844 \ IBAN: NL13 RABO 0143 0035 26 \ BIC: RABONL2U \ VAT: NL 8123.91.755.B01

ART.CODE	d1	d2	Z1	Z2	B	C	PN	Verp
2.40.050	50	1 1/2" (F)	28	36	31	23	16	50
2.40.063	63	2" (F)	34	41	38	31	16	25
2.40.075	75	2 1/2" (F)	39	47	44	36	10	30
2.40.090	90	3" (F)	46	58	51	39	10	17
2.40.110	110	4" (F)	56	78	61	39	10	12

Van de Lande BV

Lissenveld 1 \ 4941 VK Raamsdonksveer \ The Netherlands \ t +31 (0)162 51 60 00 \ f +31 (0)162 52 14 17 \ sales@vandelande.com
Traderegister Tilburg: 18070844 \ IBAN: NL13 RABO 0143 0035 26 \ BIC: RABONL2U \ VAT: NL 8123.91.755.B01

All our transactions are subject to the Van de Lande General Terms of Sale. A copy of these can be provided immediately upon your request.