

## 3.27 Adaptor socket

### Product information

#### Characteristics

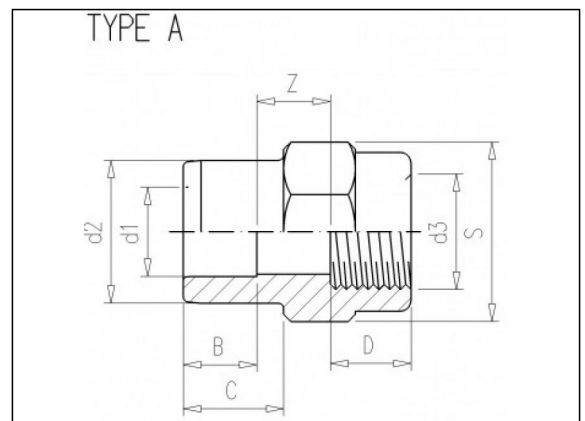
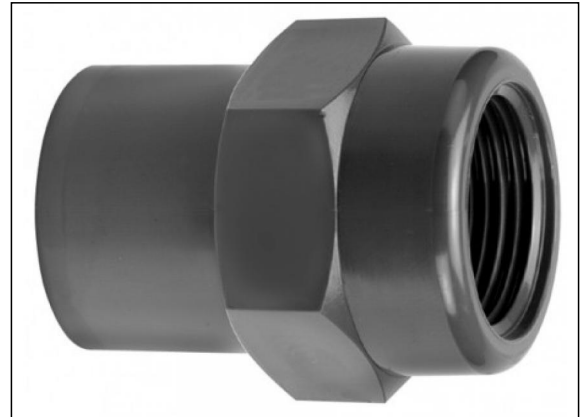
- BSP female thread
- INOX Reinforcement

#### Material

- PVC-U = Unplasticised Polyvinylchloride

#### Manufacture

- Injection moulded



### Available items

| ART.CODE | d1 | d2 | d3          | Z  | B  | C  | D  | S  | Type | PN | Verp |
|----------|----|----|-------------|----|----|----|----|----|------|----|------|
| 3.27.010 | 10 | 16 | 1/4"<br>(F) | 9  | 12 | 14 | 12 | 24 | A    | 16 | 100  |
| 3.27.015 | 12 | 16 | 3/8"<br>(F) | 11 | 12 | 14 | 12 | 27 | A    | 10 | 100  |
| 3.27.016 | 12 | 16 | 3/8"<br>(F) | 11 | 12 | 14 | 12 | 27 | B    | 16 | 50   |
| 3.27.017 | -  | 20 | 1/2"<br>(F) | -  | -  | 16 | 15 | 32 | A    | 10 | 100  |
| 3.27.018 | -  | 20 | 1/2"<br>(F) | -  | -  | 16 | 15 | 32 | B    | 16 | 50   |

#### Van de Lande BV

Lissenveld 1 \ 4941 VK Raamsdonksveer \ The Netherlands \ t +31 (0)162 51 60 00 \ f +31 (0)162 52 14 17 \ sales@vandelande.com  
 Traderegister Tilburg: 18070844 \ IBAN: NL13 RABO 0143 0035 26 \ BIC: RABONL2U \ VAT: NL 8123.91.755.B01

| ART.CODE | d1 | d2 | d3               | Z    | B  | C  | D  | S  | Type | PN | Verp |
|----------|----|----|------------------|------|----|----|----|----|------|----|------|
| 3.27.020 | 16 | 25 | 1/2"<br>(F)      | 13.5 | 14 | 19 | 15 | 32 | A    | 10 | 100  |
| 3.27.021 | 16 | 25 | 1/2"<br>(F)      | 13.5 | 14 | 19 | 15 | 32 | B    | 16 | 50   |
| 3.27.025 | 20 | 32 | 3/4"<br>(F)      | 17   | 16 | 22 | 16 | 36 | A    | 10 | 100  |
| 3.27.026 | 20 | 32 | 3/4"<br>(F)      | 17   | 16 | 22 | 16 | 36 | B    | 16 | 50   |
| 3.27.032 | 25 | 32 | 1" (F)           | 15.5 | 19 | 22 | 22 | 46 | A    | 10 | 200  |
| 3.27.033 | 25 | 32 | 1" (F)           | 15.5 | 19 | 22 | 22 | 46 | B    | 16 | 75   |
| 3.27.040 | 32 | 40 | 1<br>1/4"<br>(F) | 17   | 23 | 26 | 23 | 55 | A    | 10 | 100  |
| 3.27.041 | 32 | 40 | 1<br>1/4"<br>(F) | 17   | 23 | 26 | 23 | 55 | B    | 16 | 100  |
| 3.27.050 | 40 | 50 | 1<br>1/2"<br>(F) | 21   | 26 | 31 | 25 | 66 | A    | 10 | 75   |
| 3.27.051 | 40 | 50 | 1<br>1/2"<br>(F) | 21   | 26 | 31 | 25 | 66 | B    | 16 | 75   |
| 3.27.063 | 50 | 63 | 2" (F)           | 26.5 | 32 | 38 | 28 | 80 | A    | 10 | 60   |
| 3.27.064 | 50 | 63 | 2" (F)           | 26.5 | 32 | 38 | 28 | 80 | B    | 16 | 25   |
| 3.27.076 | 63 | 75 | 2<br>1/2"<br>(F) | 29.5 | 38 | 44 | 31 | 96 | B    | 10 | 25   |

**Van de Lande BV**

Lissenveld 1 \ 4941 VK Raamsdonksveer \ The Netherlands \ t +31 (0)162 51 60 00 \ f +31 (0)162 52 14 17 \ sales@vandelande.com  
 Traderegister Tilburg: 18070844 \ IBAN: NL13 RABO 0143 0035 26 \ BIC: RABONL2U \ VAT: NL 8123.91.755.B01

[www.vandelande.com](http://www.vandelande.com)

All our transactions are subject to the Van de Lande General Terms of Sale. A copy of these can be provided immediately upon your request.