

3.68 Adaptor Union with O-ring sealing

Product information

Characteristics

- Straight BSP male thread

Material

- PVC-U = Unplasticised Polyvinylchloride

Gaskets

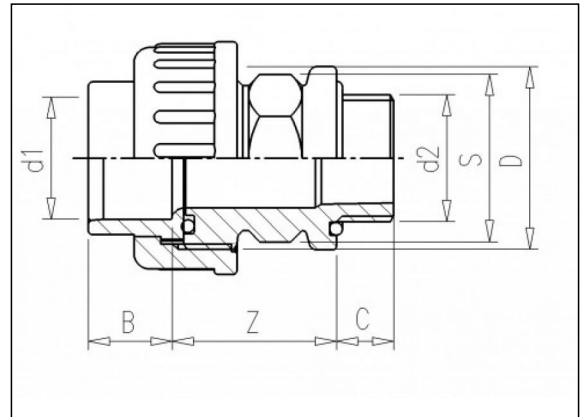
- EPDM

Manufacture

- Injection moulded



Parts



Available items

ART.CODE	d1	d2	Z	B	C	D	S	PN	Verp
3.68.018	16	3/8"(M)	36.5	14	10	3/4"	25	10	50
3.68.022	20	1/2"(M)	40	16	10	1"	28	10	50
3.68.027	25	3/4"(M)	43	19	12	1 1/4"	32	10	60
3.68.034	32	1" (M)	44	22	15	1 1/2"	38	10	100

Van de Lande BV

Lissenveld 1 \ 4941 VK Raamsdonksveer \ The Netherlands \ t +31 (0)162 51 60 00 \ f +31 (0)162 52 14 17 \ sales@vandelande.com
 Traderegister Tilburg: 18070844 \ IBAN: NL13 RABO 0143 0035 26 \ BIC: RABONL2U \ VAT: NL 8123.91.755.B01

ART.CODE	d1	d2	Z	B	C	D	S	PN	Verp
3.68.042	40	1 1/4" (M)	49	26	15	2"	46	10	50
3.68.052	50	1 1/2" (M)	55	31	18	2 1/4"	55	10	50
3.68.053	50	2" (M)	55	31	23.5	2 1/4"	55	10	25
3.68.065	63	2" (M)	56	39	23.5	2 3/4"	65	10	25

Van de Lande BV

Lissenveld 1 \ 4941 VK Raamsdonksveer \ The Netherlands \ t +31 (0)162 51 60 00 \ f +31 (0)162 52 14 17 \ sales@vandelande.com
Traderegister Tilburg: 18070844 \ IBAN: NL13 RABO 0143 0035 26 \ BIC: RABONL2U \ VAT: NL 8123.91.755.B01

www.vandelande.com

All our transactions are subject to the Van de Lande General Terms of Sale. A copy of these can be provided immediately upon your request.