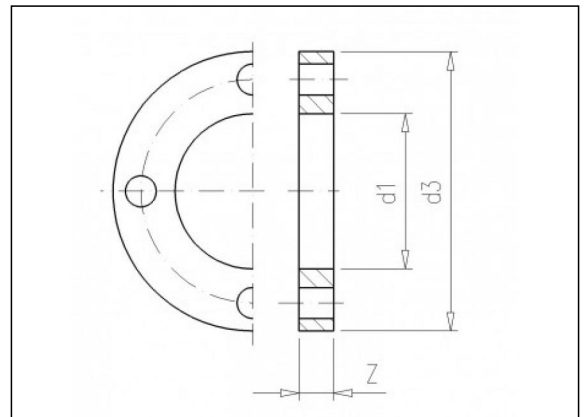


# 3.72 Flange Aluminium

## Product information

### Material

- Aluminium



## Available items

ART.CODE	Dia	DN	d1	d2	d3	Z	Norm	Verp
ALU972020	20	15	28	65	95	17	ISO/D IN 2501 PN10	1
ALU972025	25	20	34	75	105	17	ISO/D IN 2501 PN10	1
ALU972032	32	25	42	85	115	17	ISO/D IN 2501 PN10	1

### Van de Lande BV

Lissenveld 1 \ 4941 VK Raamsdonksveer \ The Netherlands \ t +31 (0)162 51 60 00 \ f +31 (0)162 52 14 17 \ sales@vandelande.com  
 Traderegister Tilburg: 18070844 \ IBAN: NL13 RABO 0143 0035 26 \ BIC: RABONL2U \ VAT: NL 8123.91.755.B01

ART.CODE	Dia	DN	d1	d2	d3	Z	Norm	Verp
ALU972040	40	32	51	100	140	17	ISO/D IN 2501 PN10	1
ALU972125	125	125	150	190	235	22		1
ALU972140	140	125	167	210	240	22	ISO/D IN 2501 PN10	1
ALU972200	200	175	235	270	315	24	ISO 2536 PN10	1
ALU972225	225	200	251	295	340	24	ISO/D IN 2501 PN10	1
ALU972250	250	225	277	325	370	26	ISO 2536 PN10	1
ALU972315	315	300	348	400	445	26	ISO/D IN 2501 PN10	1
ALU972355	355	350	388	460	505	26	ISO/D IN 2501 PN10	1
ALU972400	400	400	442	515	565	32	ISO/D IN 2501 PN10	1

**Van de Lande BV**

Lissenveld 1 \ 4941 VK Raamsdonksveer \ The Netherlands \ t +31 (0)162 51 60 00 \ f +31 (0)162 52 14 17 \ sales@vandelande.com  
 Traderegister Tilburg: 18070844 \ IBAN: NL13 RABO 0143 0035 26 \ BIC: RABONL2U \ VAT: NL 8123.91.755.B01

All our transactions are subject to the Van de Lande General Terms of Sale. A copy of these can be provided immediately upon your request.