

# 6.01 Laboratory ball valve

## Product information

**Material**

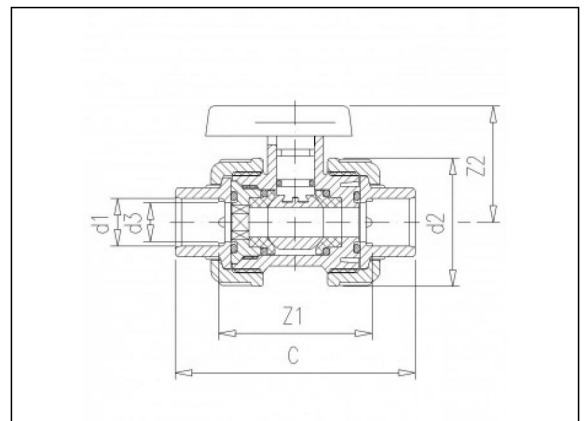
- PVC-U = Unplasticised Polyvinylchloride

**Gaskets**

- EPDM

**Manufacture**

- Injection moulded



## Available items

ART.CODE	d1	d2	d3	Z1	Z2	C	DN	PN	Verp
6.01.012	12	39	8	44	35	70	8	16	50
6.01.016	16	43	10	52	39	80	10	16	50

**Van de Lande BV**

Lissenveld 1 \ 4941 VK Raamsdonksveer \ The Netherlands \ t +31 (0)162 51 60 00 \ f +31 (0)162 52 14 17 \ sales@vandelande.com  
 Traderegister Tilburg: 18070844 \ IBAN: NL13 RABO 0143 0035 26 \ BIC: RABONL2U \ VAT:NL 8123.91.755.B01