

6.61 Checkvalve FPM

Product information

Characteristics

- INOX

Material

- PVC-U = Unplasticised Polyvinylchloride

Gaskets

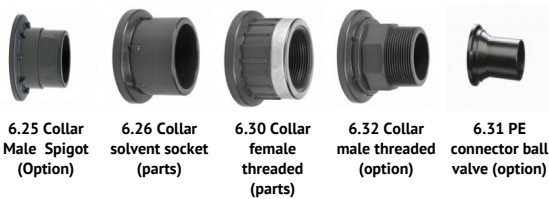
- VITON®

Manufacture

- Injection moulded



Parts



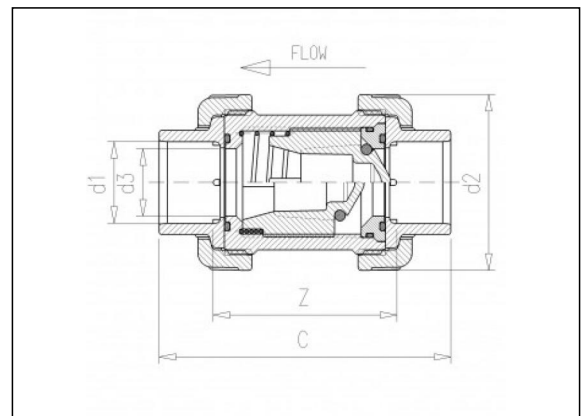
6.25 Collar
Male Spigot
(Option)

6.26 Collar
solvent socket
(parts)

6.30 Collar
female
threaded
(parts)

6.32 Collar
male threaded
(option)

6.31 PE
connector ball
valve (option)



Available items

ART.CODE	d1	d2	d3	Z	C	DN	PN	P	KV	Verp
6.60.075	75	151	67	164	252	65	10	0.10	1933	1
6.61.016	16	43	10	46	75	10	16	0.05	61	50
6.61.020	20	59	17	58	91	15	16	0.05	147	50
6.61.025	25	64	22	62.5	101.5	20	16	0.05	263	50
6.61.032	32	73	27	75.5	120.5	25	16	0.05	388	50
6.61.040	40	86	33	90	143	32	16	0.05	682	30
6.61.050	50	102	40	108	171	40	16	0.05	1052	10
6.61.063	63	124	50	132	210	50	16	0.05	1658	10
6.61.090	90	178.5	83	188	291	80	10	0.1	3166	1

Van de Lande BV

Lissenveld 1 \ 4941 VK Raamsdonksveer \ The Netherlands \ t +31 (0)162 51 60 00 \ f +31 (0)162 52 14 17 \ sales@vandelande.com
 Traderegister Tilburg: 18070844 \ IBAN: NL13 RABO 0143 0035 26 \ BIC: RABONL2U \ VAT: NL 8123.91.755.B01

ART.CODE	d1	d2	d3	Z	C	DN	PN	P	KV	Verp
6.61.110	110	215.5	99	225	348	100	10	0.1	4650	1

Van de Lande BV

Lissenveld 1 \ 4941 VK Raamsdonksveer \ The Netherlands \ t +31 (0)162 51 60 00 \ f +31 (0)162 52 14 17 \ sales@vandelande.com
Traderegister Tilburg: 18070844 \ IBAN: NL13 RABO 0143 0035 26 \ BIC: RABONL2U \ VAT: NL 8123.91.755.B01

All our transactions are subject to the Van de Lande General Terms of Sale. A copy of these can be provided immediately upon your request.