

6.78 Butterfly Valve with kit blue

Product information

Material

- PVC-U = Unplasticised Polyvinylchloride

Gaskets

- EPDM

Manufacture

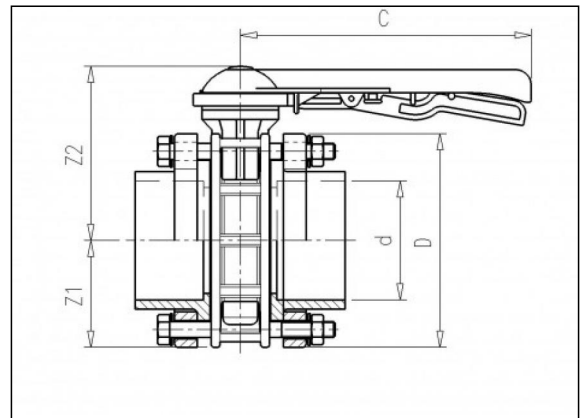
- Injection moulded



Parts



6.76 Kit for Butterfly valve



Available items

| ART.CODE | d | DN | Z | Z1 | Z2 | B | C | Qty |
|----------|-----|-----|-----|-------|-----|-----|-----|-----|
| 6.78.064 | 63 | 65 | 77 | 92.5 | 174 | 38 | 270 | 2 |
| 6.78.076 | 75 | 65 | 59 | 92.5 | 174 | 44 | 270 | 2 |
| 6.78.091 | 90 | 80 | 66 | 100 | 181 | 51 | 270 | 2 |
| 6.78.111 | 110 | 80 | 79 | 110 | 192 | 61 | 270 | 1 |
| 6.78.126 | 125 | 125 | 113 | 125 | 203 | 69 | 340 | 1 |
| 6.78.141 | 140 | 125 | 81 | 125 | 203 | 76 | 340 | 1 |
| 6.78.161 | 160 | 150 | 88 | 142.5 | 221 | 86 | 340 | 1 |
| 6.78.201 | 200 | 200 | 149 | 170 | 289 | 106 | 420 | 1 |
| 6.78.226 | 225 | 200 | 95 | 170 | 289 | 119 | 420 | 1 |

Van de Lande BV

Lissenveld 1 \ 4941 VK Raamsdonksveer \ The Netherlands \ t +31 (0)162 51 60 00 \ f +31 (0)162 52 14 17 \ sales@vandelande.com
 Traderegister Tilburg: 18070844 \ IBAN: NL13 RABO 0143 0035 26 \ BIC: RABONL2U \ VAT: NL 8123.91.755.B01

| ART.CODE | d | DN | Z | Z1 | Z2 | B | C | Qty |
|----------|---|----|---|----|----|---|---|-----|
|----------|---|----|---|----|----|---|---|-----|

Van de Lande BV

Lissenveld 1 \ 4941 VK Raamsdonksveer \ The Netherlands \ t +31 (0)162 51 60 00 \ f +31 (0)162 52 14 17 \ sales@vandelande.com
Traderegister Tilburg: 18070844 \ IBAN: NL13 RABO 0143 0035 26 \ BIC: RABONL2U \ VAT: NL 8123.91.755.B01

All our transactions are subject to the Van de Lande General Terms of Sale. A copy of these can be provided immediately upon your request.