

# 6.78 Butterfly valve with kit

## Product information

**Material**

- PVC-U = Unplasticised Polyvinylchloride

**Gaskets**

- EPDM

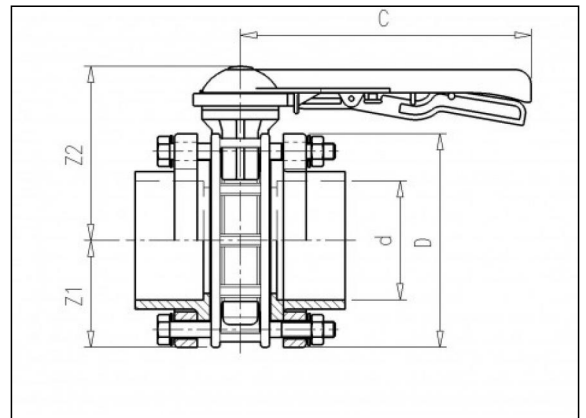
**Manufacture**

- Injection moulded

## Parts



6.76 Kit for Butterfly valve



## Available items

ART.CODE	d	DN	D	Z	Z1	Z2	B	C	PN	Verp
6.78.063	63	65	185	77	92.5	174	38	270	10	2
6.78.075	75	65	185	59	92.5	174	44	270	10	2
6.78.090	90	80	200	66	100	181	51	270	10	2
6.78.110	110	100	220	79	110	192	61	270	10	1
6.78.125	125	125	250	113	125	203	69	340	10	1
6.78.140	140	125	250	81	125	203	76	340	10	1
6.78.160	160	150	285	88	142.5	221	86	340	6	1
6.78.200	200	200	340	149	170	289	106	420	6	1
6.78.225	225	200	340	95	170	289	119	420	6	1

**Van de Lande BV**

Lissenveld 1 \ 4941 VK Raamsdonksveer \ The Netherlands \ t +31 (0)162 51 60 00 \ f +31 (0)162 52 14 17 \ sales@vandelande.com  
 Traderegister Tilburg: 18070844 \ IBAN: NL13 RABO 0143 0035 26 \ BIC: RABONL2U \ VAT: NL 8123.91.755.B01

ART.CODE    d    DN    D    Z    Z1    Z2    B    C    PN    Verp

---

**Van de Lande BV**

Lissenveld 1 \ 4941 VK Raamsdonksveer \ The Netherlands \ t +31 (0)162 51 60 00 \ f +31 (0)162 52 14 17 \ sales@vandelande.com  
Traderegister Tilburg: 18070844 \ IBAN: NL13 RABO 0143 0035 26 \ BIC: RABONL2U \ VAT: NL 8123.91.755.B01

All our transactions are subject to the Van de Lande General Terms of Sale. A copy of these can be provided immediately upon your request.