

6.79 Extended butterfly valve with kit

Product information

Characteristics

- INOX

Material

- PVC-U = Unplasticised Polyvinylchloride

Gaskets

- EPDM

Manufacture

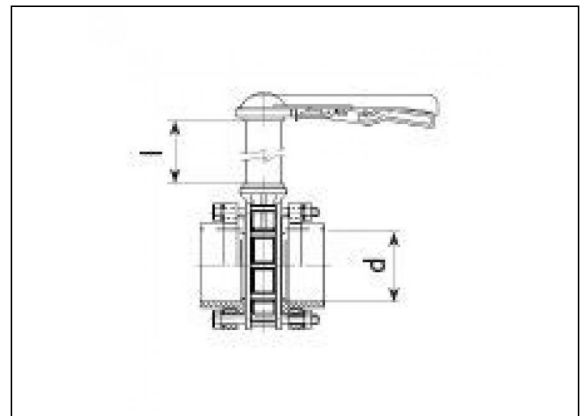
- Injection moulded



Parts



6.76 Kit for Butterfly valve



Available items

ART.CODE	d	L	Verp
6.79.063.2	63	1000	1
6.79.063.3	63	1500	1
6.79.075.2	75	1000	1
6.79.075.3	75	1500	1
6.79.090.2	90	1000	1
6.79.090.3	90	1500	1
6.79.110.2	110	1000	1

Van de Lande BV

Lissenveld 1 \ 4941 VK Raamsdonksveer \ The Netherlands \ t +31 (0)162 51 60 00 \ f +31 (0)162 52 14 17 \ sales@vandelande.com
Traderegister Tilburg: 18070844 \ IBAN: NL13 RABO 0143 0035 26 \ BIC: RABONL2U \ VAT: NL 8123.91.755.B01

ART.CODE	d	L	Verp
6.79.110.3	110	1500	1
6.79.125.2	125	1000	1
6.79.125.3	125	1500	1
6.79.140.2	140	1000	1
6.79.140.3	140	1500	1
6.79.160.2	160	1000	1
6.79.160.3	160	1500	1
6.79.200.2	200	1000	1
6.79.200.3	200	1500	1
6.79.225.2	225	1000	1
6.79.225.3	225	1500	1

Van de Lande BV

Lissenveld 1 \ 4941 VK Raamsdonksveer \ The Netherlands \ t +31 (0)162 51 60 00 \ f +31 (0)162 52 14 17 \ sales@vandelande.com
Traderegister Tilburg: 18070844 \ IBAN: NL13 RABO 0143 0035 26 \ BIC: RABONL2U \ VAT: NL 8123.91.755.B01

All our transactions are subject to the Van de Lande General Terms of Sale. A copy of these can be provided immediately upon your request.