

6.80 MES Slide valve extended

Product information

Characteristics

- INOX

Material

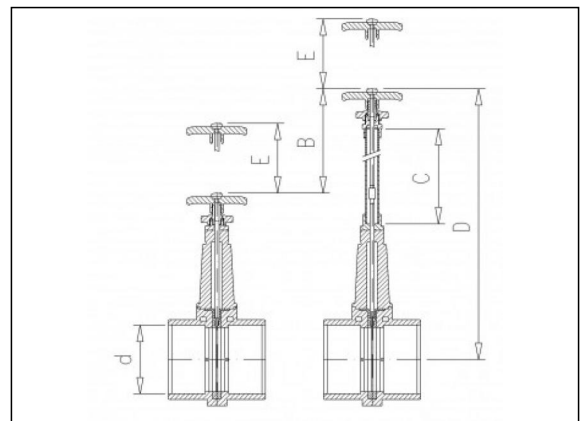
- PVC-U = Unplasticised Polyvinylchloride

Gaskets

- EPDM

Manufacture

- Injection moulded



Available items

ART.CODE	d	B	C	D	E	P max	Verp
6.80.111.1	110	500	478	788	107	0.5	1
6.80.111.2	110	1000	978	1288	107	0.5	1
6.80.111.3	110	1500	1478	1788	107	0.5	1
6.80.111.4	110	2000	1978	2288	107	0.5	1
6.80.161.1	160	500	478	888	163	0.5	1
6.80.161.2	160	1000	978	1388	163	0.5	1
6.80.161.3	160	1500	1478	1888	163	0.5	1
6.80.161.4	160	2000	1978	2388	163	0.5	1
6.80.201.1	200	500	478	950	200	0.5	1

Van de Lande BV

Lissenveld 1 \ 4941 VK Raamsdonksveer \ The Netherlands \ t +31 (0)162 51 60 00 \ f +31 (0)162 52 14 17 \ sales@vandelande.com
 Traderegister Tilburg: 18070844 \ IBAN: NL13 RABO 0143 0035 26 \ BIC: RABONL2U \ VAT: NL 8123.91.755.B01

ART.CODE	d	B	C	D	E	P max	Verp
6.80.201.2	200	1000	978	1450	200	0.5	1
6.80.201.3	200	1500	1478	1950	200	0.5	1
6.80.201.4	200	2000	1978	2450	200	0.5	1

Van de Lande BV

Lissenveld 1 \ 4941 VK Raamsdonksveer \ The Netherlands \ t +31 (0)162 51 60 00 \ f +31 (0)162 52 14 17 \ sales@vandelande.com
Traderegister Tilburg: 18070844 \ IBAN: NL13 RABO 0143 0035 26 \ BIC: RABONL2U \ VAT: NL 8123.91.755.B01

All our transactions are subject to the Van de Lande General Terms of Sale. A copy of these can be provided immediately upon your request.