

6.80 MES Slide valve

Product information

Characteristics

- INOX

Material

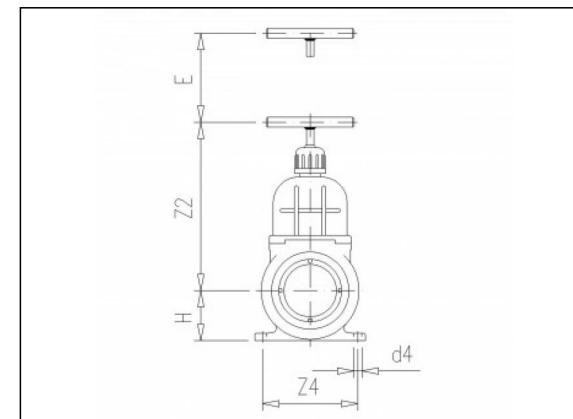
- PVC-U = Unplasticised Polyvinylchloride

Gaskets

- EPDM

Manufacture

- Injection moulded



Van de Lande BV

Lissenveld 1 \ 4941 VK Raamsdonksveer \ The Netherlands \ t +31 (0)162 51 60 00 \ f +31 (0)162 52 14 17 \ sales@vandelande.com

Traderegister Tilburg: 18070844 \ IBAN: NL13 RABO 0143 0035 26 \ BIC: RABONL2U \ VAT: NL 8123.91.755.B01

All our transactions are subject to the Van de Lande General Terms of Sale. A copy of these can be provided immediately upon your request.

Available items

| ART.CODE | d1 | d2 | d4 | Z1 | Z2 | Z4 | B | E | H | P max | DN | Verp |
|-----------------|-----------|-----------|-----------|-----------|-----------|-----------|----------|----------|----------|--------------|-----------|-------------|
| 6.80.111 | 110 | 92 | 9 | 54 | 290 | 158 | 61 | 107 | 81 | 0.5 | 100 | 4 |
| 6.80.161 | 160 | 150 | 11 | 55 | 388 | 240 | 86 | 165 | 108 | 0.5 | 150 | 2 |
| 6.80.201 | 200 | 192 | 13 | 48 | 450 | 275 | 107 | 200 | 128 | 0.5 | 200 | 1 |

Van de Lande BV

Lissenveld 1 \ 4941 VK Raamsdonksveer \ The Netherlands \ t +31 (0)162 51 60 00 \ f +31 (0)162 52 14 17 \ sales@vandelande.com

Traderegister Tilburg: 18070844 \ IBAN: NL13 RABO 0143 0035 26 \ BIC: RABONL2U \ VAT: NL 8123.91.755.B01

All our transactions are subject to the Van de Lande General Terms of Sale. A copy of these can be provided immediately upon your request.