

6.82 MES Slide Valve DUL Extended

Product information

Characteristics

- INOX

Material

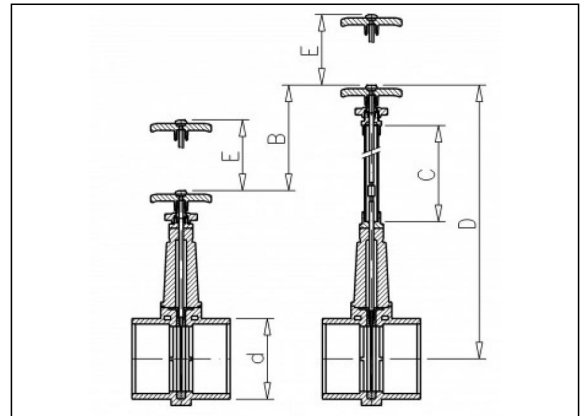
- PVC-U = Unplasticised Polyvinylchloride

Gaskets

- EPDM

Manufacture

- Injection moulded



Available items

ART.CODE	d	B	C	D	E	P max	Verp
6.82.126.1	125	500	478	788	107	0.5	1
6.82.126.2	125	1000	978	1288	107	0.5	1
6.82.126.3	125	1500	1478	1788	107	0.5	1
6.82.126.4	125	2000	1978	2288	107	0.5	1

Van de Lande BV

Lissenveld 1 \ 4941 VK Raamsdonksveer \ The Netherlands \ t +31 (0)162 51 60 00 \ f +31 (0)162 52 14 17 \ sales@vandelande.com
 Traderegister Tilburg: 18070844 \ IBAN: NL13 RABO 0143 0035 26 \ BIC: RABONL2U \ VAT: NL 8123.91.755.B01