

# 6.82 MES Slide Valve

## Product information

### Characteristics

- INOX

### Material

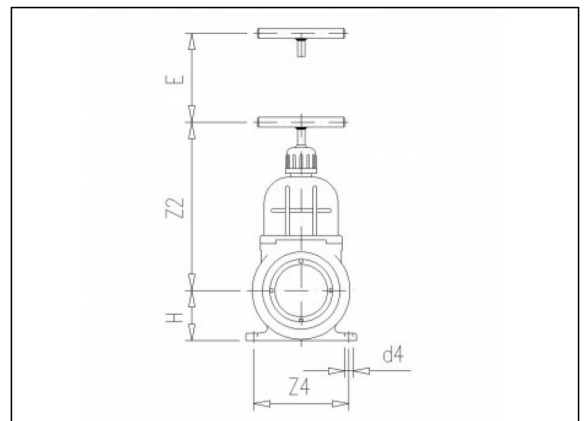
- PVC-U = Unplasticised Polyvinylchloride

### Gaskets

- EPDM

### Manufacture

- Injection moulded



## Available items

ART.CODE	d	d2	d4	Z1	Z2	Z4	D	E	H	P max	Verp
6.82.126	125	92	9	78	290	158	69	107	81	0.5	4

### Van de Lande BV

Lissenveld 1 \ 4941 VK Raamsdonksveer \ The Netherlands \ t +31 (0)162 51 60 00 \ f +31 (0)162 52 14 17 \ sales@vandelande.com  
 Traderegister Tilburg: 18070844 \ IBAN: NL13 RABO 0143 0035 26 \ BIC: RABONL2U \ VAT: NL 8123.91.755.B01