

8.11 PVC nut

Product information

Characteristics

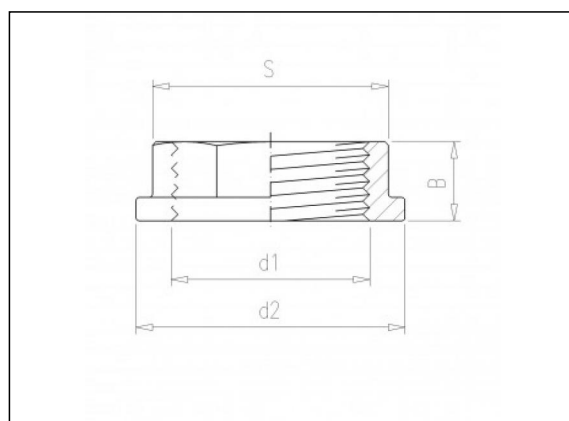
- BSP female thread

Material

- PVC-U = Unplasticised Polyvinylchloride

Manufacture

- Injection moulded



Available items

ART.CODE	d1	d2	B	S	Verp
8.11.020	3/4 (F)	39	13	32	150
8.11.025	1 (F)	47	15	40	100
8.11.032	1 1/4 (F)	58	17	50	50
8.11.035	1 1/2 (F)	65	18	56	50
8.11.040	1 3/4 (F)	72	19	64	50
8.11.045	2 (F)	79	21	69	50

Van de Lande BV

Lissenveld 1 \ 4941 VK Raamsdonksveer \ The Netherlands \ t +31 (0)162 51 60 00 \ f +31 (0)162 52 14 17 \ sales@vandelande.com
Traderegister Tilburg: 18070844 \ IBAN: NL13 RABO 0143 0035 26 \ BIC: RABONL2U \ VAT: NL 8123.91.755.B01

ART.CODE	d1	d2	B	S	Verp
8.11.050	2 1/4 (F)	86	22	76	50
8.11.063	2 1/2 (F)	95	23	85	25
8.11.065	2 3/4 (F)	106	25	95	25
8.11.075	3 (F)	112	26	100	20
8.11.090	M113 (F)	139	32	127	10
8.11.110	M133 (F)	170	36	154	10
8.11.140	4 (F)	139	32	126	10
8.11.150	5 (F)	170	36	154	10

Van de Lande BV

Lissenveld 1 \ 4941 VK Raamsdonksveer \ The Netherlands \ t +31 (0)162 51 60 00 \ f +31 (0)162 52 14 17 \ sales@vandelande.com
Traderegister Tilburg: 18070844 \ IBAN: NL13 RABO 0143 0035 26 \ BIC: RABONL2U \ VAT: NL 8123.91.755.B01

www.vandelande.com

All our transactions are subject to the Van de Lande General Terms of Sale. A copy of these can be provided immediately upon your request.