

# MMA Tee Reducing

## Product information

### Material

- PVC-U = Unplasticised Polyvinylchloride

### Gaskets

- EPDM

### Manufacture

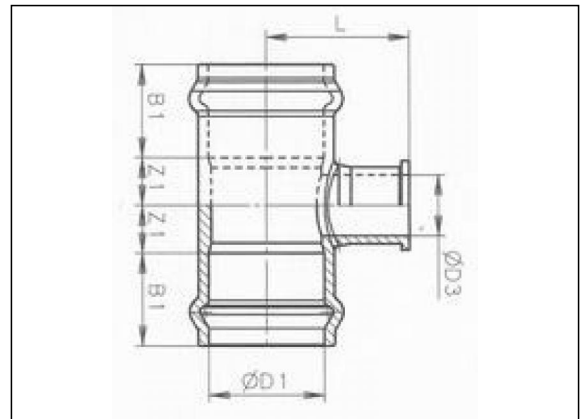
- Injection moulded



## Parts



Spread ring flange (for MMA Tees, E-KS, F-KS)



## Available items

ART.CODE	d1	d3	B1	Z1	L	PN	Verp
RRS012074	75	63	102	48	144	12,5	5
RRS012088	90	63	108	50	150	12,5	4
RRS012089	90	75	108	50	158	12,5	4
RRS012107	110	63	115	53	168	12,5	3
RRS012108	110	75	115	53	168	12,5	3
RRS012109	110	90	115	61	175	12,5	3
RRS012156	160	90	131	67	200	12,5	1
RRS012157	160	110	131	76	210	12,5	1
RRS012195	200	90				10	1

### Van de Lande BV

Lissenveld 1 \ 4941 VK Raamsdonksveer \ The Netherlands \ t +31 (0)162 51 60 00 \ f +31 (0)162 52 14 17 \ sales@vandelande.com  
 Traderegister Tilburg: 18070844 \ IBAN: NL13 RABO 0143 0035 26 \ BIC: RABONL2U \ VAT: NL 8123.91.755.B01

ART.CODE	d1	d3	B1	Z1	L	PN	Verp
RRS012196	200	110				10	1
RRS012219	225	90	150	75	240	10	1
RRS012220	225	110	150	75	250	10	1
RRS012223	225	160	150	140	270	10	1

**Van de Lande BV**

Lissenveld 1 \ 4941 VK Raamsdonksveer \ The Netherlands \ t +31 (0)162 51 60 00 \ f +31 (0)162 52 14 17 \ sales@vandelande.com  
Traderegister Tilburg: 18070844 \ IBAN: NL13 RABO 0143 0035 26 \ BIC: RABONL2U \ VAT: NL 8123.91.755.B01

All our transactions are subject to the Van de Lande General Terms of Sale. A copy of these can be provided immediately upon your request.