

MMA Tee

Product information

Material

- PVC-U = Unplasticised Polyvinylchloride

Gaskets

- EPDM

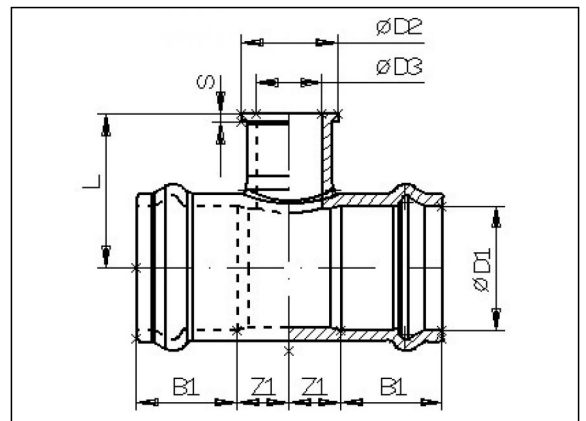
Manufacture

- Injection moulded

Parts



Spread ring flange (for MMA Tees, E-KS, F-KS)



Available items

ART.CODE	d1	d3	d2	S	B1	Z1	L	PN	Verp
RRS012063	63	63	90	9	96	41	137	12,5	6
RRS012075	75	75	106	10	102	48	150	12,5	5
RRS012090	90	90	125	11	108	57	165	12,5	5
RRS012110	110	110	150	12	115	69	184	12,5	3
RRS012160	160	160	213	16	131	100	231	12,5	1

Van de Lande BV

Lissenveld 1 \ 4941 VK Raamsdonksveer \ The Netherlands \ t +31 (0)162 51 60 00 \ f +31 (0)162 52 14 17 \ sales@vandelande.com
 Traderegister Tilburg: 18070844 \ IBAN: NL13 RABO 0143 0035 26 \ BIC: RABONL2U \ VAT: NL 8123.91.755.B01