

R-KS Reducer

Product information

Material

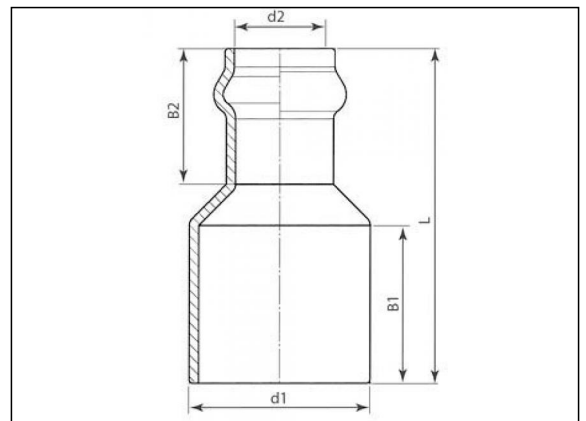
- PVC-U = Unplasticised Polyvinylchloride

Gaskets

- EPDM

Manufacture

- Injection moulded



Available items

ART.CODE	d1	d2	B1	B2	L	PN	Verp
RRS040074	75	63	111	41	232	12,5	5
RRS040088	90	63	116	108	243	12,5	4
RRS040107	110	63	125	115	257	12,5	5
RRS040109	110	90	122	115	270	12,5	4
RRS040154	160	63	143	104	291	12,5	4
RRS040157	160	110	143	131	314	12,5	4

Van de Lande BV

Lissenveld 1 \ 4941 VK Raamsdonksveer \ The Netherlands \ t +31 (0)162 51 60 00 \ f +31 (0)162 52 14 17 \ sales@vandelande.com
 Traderegister Tilburg: 18070844 \ IBAN: NL13 RABO 0143 0035 26 \ BIC: RABONL2U \ VAT: NL 8123.91.755.B01