

Reducing E-KS

Product information

Material

- PVC-U = Unplasticised Polyvinylchloride

Gaskets

- EPDM

Manufacture

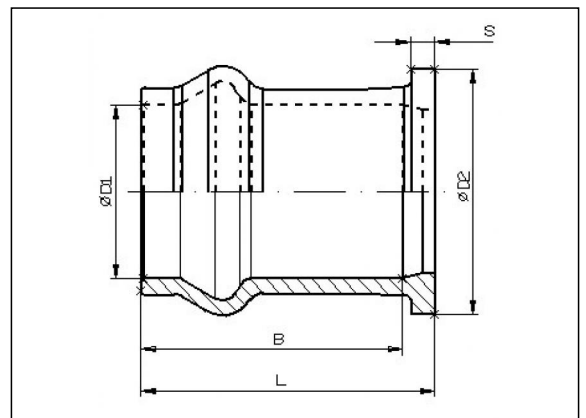
- Injection moulded



Parts



Spread ring flange (for MMA Tees, E-KS, F-KS)



Available items

ART.CODE	d1	d2	S	B	L	Verp
RRS030063	63	90	9	96	108	8
RRS030075	75	106	10	102	115	8
RRS030090	90	125	11	108	123	10
RRS030110	110	150	12	115	134	3
RRS030160	160	213	16	131	155	2

Van de Lande BV

Lissenveld 1 \ 4941 VK Raamsdonksveer \ The Netherlands \ t +31 (0)162 51 60 00 \ f +31 (0)162 52 14 17 \ sales@vandelande.com
 Traderegister Tilburg: 18070844 \ IBAN: NL13 RABO 0143 0035 26 \ BIC: RABONL2U \ VAT: NL 8123.91.755.B01