

WIT203 Reducing tee 90°

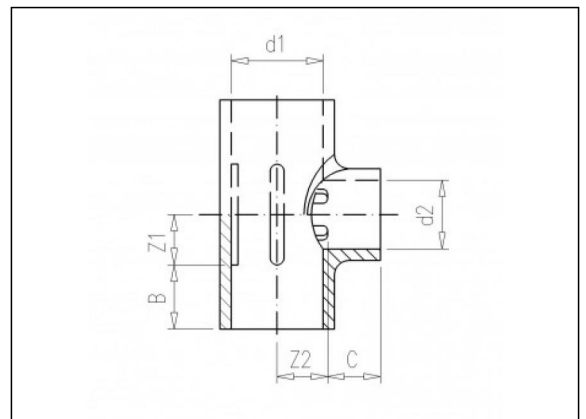
Product information

Material

- PVC-U = Unplasticised Polyvinylchloride

Manufacture

- Injection moulded



Available items

ART.CODE	d1	d2	Z1	Z2	B	C	PN	Verp
WIT203013	32	16	18	19	22	14	16	200
WIT203023	40	20	23	23	26	16	16	150
WIT203031	40	32	23	23	26	22	10	140
WIT203041	50	32	28	28.5	31	22	10	90
WIT203046	50	40	28	29	31	26	10	90
WIT203065	63	50	34	34	38	31	16	40
WIT203080	75	50	40	40.5	44	31	16	28
WIT203095	90	50	46	55	51	31	16	17

Van de Lande BV

Lissenveld 1 \ 4941 VK Raamsdonksveer \ The Netherlands \ t +31 (0)162 51 60 00 \ f +31 (0)162 52 14 17 \ sales@vandelande.com
 Traderegister Tilburg: 18070844 \ IBAN: NL13 RABO 0143 0035 26 \ BIC: RABONL2U \ VAT: NL 8123.91.755.B01