

WIT225 Elbow 90°

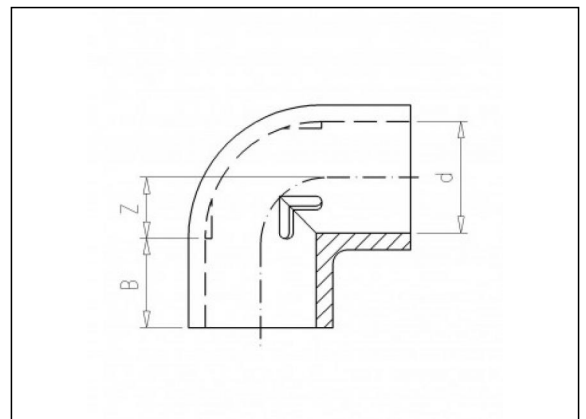
Product information

Material

- PVC-U = Unplasticised Polyvinylchloride

Manufacture

- Injection moulded



Available items

ART.CODE	d	Z	B	PN	Verp
WIT225020	20	11.5	16	16	200
WIT225025	25	14	20	16	250
WIT225033	32	19	22	10	250
WIT225041	40	22	26	10	175
WIT225051	50	27.5	31	10	100
WIT225063	63	33.5	38	16	50
WIT225075	75	40	44	16	30
WIT225090	90	47.5	51	16	17

Van de Lande BV

Lissenveld 1 \ 4941 VK Raamsdonksveer \ The Netherlands \ t +31 (0)162 51 60 00 \ f +31 (0)162 52 14 17 \ sales@vandelande.com
Traderegister Tilburg: 18070844 \ IBAN: NL13 RABO 0143 0035 26 \ BIC: RABONL2U \ VAT: NL 8123.91.755.B01