

WIT525 Tube clip

Product information

Material

- PP = Polypropylene

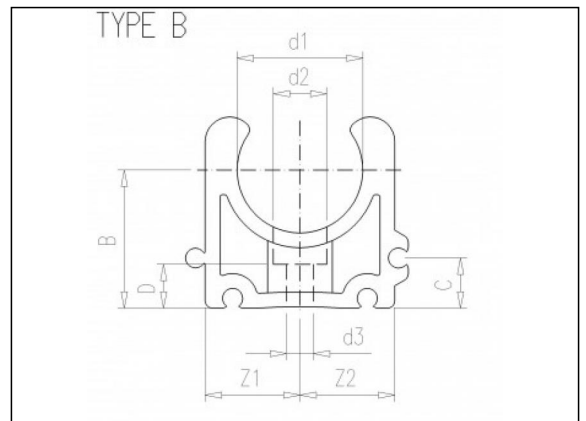
Manufacture

- Injection moulded

Parts



WIT524 Block Filling



Available items

ART.CODE	d1	d2	d3	Z1	Z2	B	C	D	E	Type	Verp
WIT525016	16	10.5	5.5	14	16.5	23	10	6	16	B	400 (40x10)
WIT525020	20	10.5	5.5	16.5	19	25	10	6	16	B	400 (40x10)
WIT525025	25	10.5	5.5	19	21.5	27.5	10	6	16	B	800 (80x10)
WIT525032	32	10.5	5.5	24	26.5	31	10	6	16	B	600 (60x10)

Van de Lande BV

Lissenveld 1 \ 4941 VK Raamsdonksveer \ The Netherlands \ t +31 (0)162 51 60 00 \ f +31 (0)162 52 14 17 \ sales@vandelande.com
 Traderegister Tilburg: 18070844 \ IBAN: NL13 RABO 0143 0035 26 \ BIC: RABONL2U \ VAT: NL 8123.91.755.B01

ART.CODE	d1	d2	d3	Z1	Z2	B	C	D	E	Type	Verp
WIT525040	40	14	6.5	33.5	33.5	35	10	6.5	22	C	250 (25x10)
WIT525050	50	14	6.5	37	37	40	10	6.5	22	C	250 (25x10)
WIT525063	63	17	8.5	44.5	44.5	51.5	10	10	25	C	150 (15x10)
WIT525075	75	17	8.5	52	52	57.5	10	10	25	C	80 (8x10)
WIT525090	90	17	8.5	64.5	64.5	65	10	10	28	C	60 (6x10)
WIT525110	110	17	8.5	78	78	75	10	10	28	C	50 (5X10)

Van de Lande BV

Lissenveld 1 \ 4941 VK Raamsdonksveer \ The Netherlands \ t +31 (0)162 51 60 00 \ f +31 (0)162 52 14 17 \ sales@vandelande.com
Traderegister Tilburg: 18070844 \ IBAN: NL13 RABO 0143 0035 26 \ BIC: RABONL2U \ VAT: NL 8123.91.755.B01

www.vandelande.com

All our transactions are subject to the Van de Lande General Terms of Sale. A copy of these can be provided immediately upon your request.