

6.50 Collarin de toma en PP

Información del producto

Características

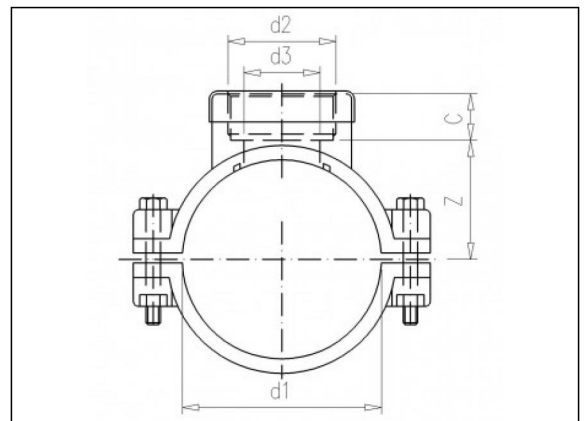
- Rosca hembra BSP
- Anillo de refuerzo INOX

Material

- PP = polipropileno

Fabricación

- Moldeado por inyección



Artículos disponibles

ART.CODE	d1	d2	d3	L	Z	C	O-ring	N	B	Verp
6.50.020	20	1/2" (F)	10	44	16	18	A	2xR	2	100
6.50.025	25	1/2" (F)	12	50	19	18	B	2xR	2	100
6.50.032	32	1/2" (F)	14	58	23	18	C	2xS	2	100
6.50.033	32	3/4" (F)	18	58	23	19	E	2xS	2	100
6.50.034	32	1" (F)	23	58	23	22	E	2xS	2	100
6.50.040	40	1/2" (F)	14	60	27	18	C	4xS	4	80

Van de Lande BV

Lissenveld 1 \ 4941 VK Raamsdonksveer \ The Netherlands \ t +31 (0)162 51 60 00 \ f +31 (0)162 52 14 17 \ sales@vandelande.com
 Traderegister Tilburg: 18070844 \ IBAN: NL13 RABO 0143 0035 26 \ BIC: RABONL2U \ VAT: NL 8123.91.755.B01

ART.CODE	d1	d2	d3	L	Z	C	O- ring	N	B	Verp
6.50.041	40	3/4" (F)	18	60	27	19	E	4xS	4	80
6.50.042	40	1" (F)	23	60	27	22	G	4xS	4	80
6.50.050	50	1/2" (F)	14	70	32	18	C	4xS	4	60
6.50.051	50	3/4" (F)	18	70	32	19	E	4xS	4	60
6.50.052	50	1" (F)	23	70	32	22	G	4xS	4	60
6.50.053	50	1 1/4" (F)	26	70	32	24	I	4xS	4	60
6.50.063	63	1/2" (F)	14	80	39	18	F	4xS	4	40
6.50.064	63	3/4" (F)	18	80	39	19	H	4xS	4	40
6.50.065	63	1" (F)	23	80	39	22	J	4xS	4	40
6.50.066	63	1 1/4" (F)	26	80	39	24	K	4xS	4	30
6.50.067	63	1 1/2" (F)	33	80	39	24	K	4xS	4	30
6.50.075	75	1/2" (F)	14	92	46	18	F	4xT	6	25
6.50.076	75	3/4" (F)	18	92	46	19	H	4xT	6	25
6.50.077	75	1" (F)	23	92	46	22	J	4xT	6	25
6.50.078	75	1 1/4" (F)	26	92	46	24	K	4xT	6	25
6.50.079	75	1 1/2" (F)	33	92	46	24	L	4xT	6	25
6.50.080	75	2" (F)	42	92	46	28	L	4xT	6	25
6.50.090	90	1/2" (F)	14	98	53	18	F	4xT	6	25
6.50.091	90	3/4" (F)	18	98	53	19	H	4xT	6	25
6.50.092	90	1" (F)	23	98	53	22	J	4xT	6	25

Van de Lande BV

Lissenveld 1 \ 4941 VK Raamsdonksveer \ The Netherlands \ t +31 (0)162 51 60 00 \ f +31 (0)162 52 14 17 \ sales@vandelande.com
 Traderegister Tilburg: 18070844 \ IBAN: NL13 RABO 0143 0035 26 \ BIC: RABONL2U \ VAT: NL 8123.91.755.B01

www.vandelande.com

All our transactions are subject to the Van de Lande General Terms of Sale. A copy of these can be provided immediately upon your request.

ART.CODE	d1	d2	d3	L	Z	C	O-ring	N	B	Verp
6.50.093	90	1 1/4" (F)	26	98	53	24	K	4xT	6	25
6.50.094	90	1 1/2" (F)	33	98	53	24	L	4xT	6	25
6.50.095	90	2" (F)	42	98	53	28	M	4xT	6	25
6.50.110	110	1" (F)	23	114	64	22	J	4xT	6	20
6.50.111	110	1 1/4" (F)	26	114	64	24	K	4xT	6	20
6.50.112	110	1 1/2" (F)	33	114	64	24	L	4xT	6	20
6.50.113	110	2" (F)	42	114	64	28	M	4xT	6	20
6.50.114	110	2 1/2" (F)	60	114	64	33	O	4xT	6	15
6.50.125	125	1" (F)	23	120	71	22	J	4xT	6	15
6.50.126	125	1 1/4" (F)	26	120	71	24	K	4xT	6	15
6.50.127	125	1 1/2" (F)	33	120	71	24	L	4xT	6	15
6.50.128	125	2" (F)	42	120	71	28	M	4xT	6	15
6.50.129	125	2 1/2" (F)	60	120	71	33	O	4xT	6	10
6.50.140	140	1 1/4" (F)	26	130	80	24	K	6xT	6	10
6.50.141	140	2" (F)	42	130	80	28	M	6xT	6	10
6.50.142	140	2 1/2" (F)	60	130	80	33	O	6xT	6	10
6.50.160	160	1" (F)	23	144	90	33	J	6xT	6	10
6.50.161	160	1 1/4" (F)	26	144	90	24	K	6xT	6	10

Van de Lande BV

Lissenveld 1 \ 4941 VK Raamsdonksveer \ The Netherlands \ t +31 (0)162 51 60 00 \ f +31 (0)162 52 14 17 \ sales@vandelande.com
 Traderegister Tilburg: 18070844 \ IBAN: NL13 RABO 0143 0035 26 \ BIC: RABONL2U \ VAT: NL 8123.91.755.B01

www.vandelande.com

All our transactions are subject to the Van de Lande General Terms of Sale. A copy of these can be provided immediately upon your request.

ART.CODE	d1	d2	d3	L	Z	C	O- ring	N	B	Verp
6.50.162	160	1 1/2" (F)	33	144	90	24	L	6xT	6	10
6.50.163	160	2" (F)	42	144	94	28	M	6xT	6	10
6.50.164	160	2 1/2" (F)	60	144	94	33	O	6xT	6	10
6.50.165	160	3" (F)	76	144	94	36	Q	6xT	6	10

Van de Lande BV

Lissenveld 1 \ 4941 VK Raamsdonksveer \ The Netherlands \ t +31 (0)162 51 60 00 \ f +31 (0)162 52 14 17 \ sales@vandelande.com
Traderegister Tilburg: 18070844 \ IBAN: NL13 RABO 0143 0035 26 \ BIC: RABONL2U \ VAT: NL 8123.91.755.B01

All our transactions are subject to the Van de Lande General Terms of Sale. A copy of these can be provided immediately upon your request.