

# R-KS reductor

## Información del producto

**Material**

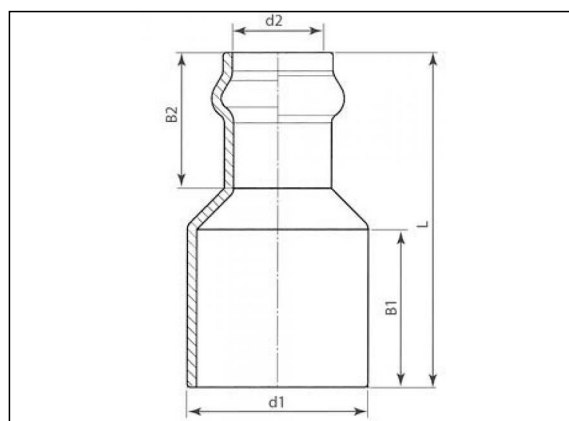
- PVC-U = cloruro de polivinilo sin plastificar

**Juntas**

- EPDM

**Fabricación**

- Moldeado por inyección



## Artículos disponibles

| ART.CODE  | d1  | d2  | B1  | B2  | L   | PN   | Verp |
|-----------|-----|-----|-----|-----|-----|------|------|
| RRS040074 | 75  | 63  | 111 | 41  | 232 | 12,5 | 5    |
| RRS040088 | 90  | 63  | 116 | 108 | 243 | 12,5 | 4    |
| RRS040107 | 110 | 63  | 125 | 115 | 257 | 12,5 | 5    |
| RRS040109 | 110 | 90  | 122 | 115 | 270 | 12,5 | 4    |
| RRS040154 | 160 | 63  | 143 | 104 | 291 | 12,5 | 4    |
| RRS040157 | 160 | 110 | 143 | 131 | 314 | 12,5 | 4    |

**Van de Lande BV**

Lissenveld 1 \ 4941 VK Raamsdonksveer \ The Netherlands \ t +31 (0)162 51 60 00 \ f +31 (0)162 52 14 17 \ sales@vandelande.com  
Traderegister Tilburg: 18070844 \ IBAN: NL13 RABO 0143 0035 26 \ BIC: RABONL2U \ VAT: NL 8123.91.755.B01

All our transactions are subject to the Van de Lande General Terms of Sale. A copy of these can be provided immediately upon your request.