

1.97 Lamina de ahogar para 1.98

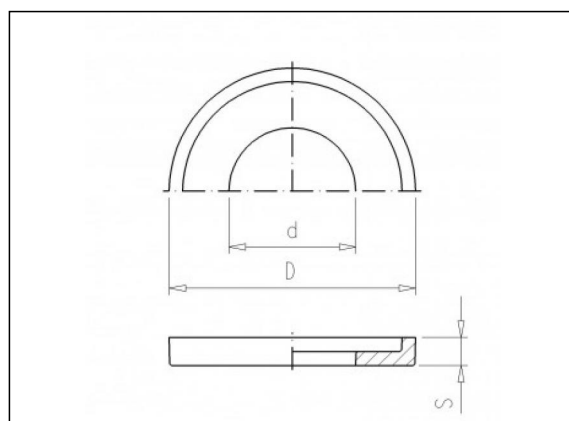
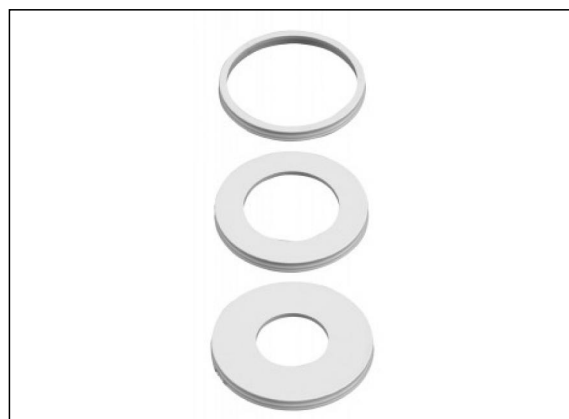
Información del producto

Material

- PVC-U = cloruro de polivinilo sin plastificar

Fabricación

- Moldeado por inyección



Artículos disponibles

ART.CODE	d	D	S	Verp
1.97.001	-	27	4	500
1.97.002	10	27	4	500
1.97.003	10.5	27	4	500
1.97.004	11	27	4	500
1.97.005	11.5	27	4	500
1.97.006	12	27	4	500
1.97.007	12.5	27	4	500
1.97.008	13	27	4	500
1.97.009	13.5	27	4	500

Van de Lande BV

Lissenveld 1 \ 4941 VK Raamsdonksveer \ The Netherlands \ t +31 (0)162 51 60 00 \ f +31 (0)162 52 14 17 \ sales@vandelande.com
Traderegister Tilburg: 18070844 \ IBAN: NL13 RABO 0143 0035 26 \ BIC: RABONL2U \ VAT: NL 8123.91.755.B01

ART.CODE	d	D	S	Verp
1.97.010	14	27	4	500
1.97.011	14.5	27	4	500
1.97.012	15	27	4	500
1.97.013	15.5	27	4	500
1.97.014	16	27	4	500
1.97.015	16.5	27	4	500
1.97.016	17	27	4	500
1.97.017	17.5	27	4	500
1.97.018	18	27	4	500
1.97.019	20	27	4	500
1.97.020	22	27	4	500
1.97.030	-	34	4	500
1.97.031	11	34	4	500
1.97.032	11.5	34	4	500
1.97.033	12	34	4	500
1.97.034	12.5	34	4	500
1.97.035	13	34	4	500
1.97.036	13.5	34	4	500
1.97.037	14	34	4	500
1.97.038	14.5	34	4	500
1.97.039	15	34	4	500
1.97.040	15.5	34	4	500
1.97.041	16	34	4	500
1.97.042	16.5	34	4	500
1.97.043	17	34	4	500
1.97.044	17.5	34	4	500
1.97.045	18	34	4	500
1.97.046	19	34	4	500
1.97.047	20	34	4	500
1.97.048	22	34	4	500
1.97.049	24	34	4	500
1.97.050	26	34	4	500
1.97.051	28	34	4	500
1.97.052	30	34	4	500
1.97.060	-	45	4	500

Van de Lande BV

Lissenveld 1 \ 4941 VK Raamsdonksveer \ The Netherlands \ t +31 (0)162 51 60 00 \ f +31 (0)162 52 14 17 \ sales@vandelande.com
Traderegister Tilburg: 18070844 \ IBAN: NL13 RABO 0143 0035 26 \ BIC: RABONL2U \ VAT: NL 8123.91.755.B01

www.vandelande.com

All our transactions are subject to the Van de Lande General Terms of Sale. A copy of these can be provided immediately upon your request.

ART.CODE	d	D	S	Verp
1.97.061	16	45	4	500
1.97.062	17	45	4	500
1.97.063	18	45	4	500
1.97.064	19	45	4	500
1.97.065	20	45	4	500
1.97.066	21	45	4	500
1.97.067	22	45	4	500
1.97.068	23	45	4	500
1.97.069	24	45	4	500
1.97.070	25	45	4	500
1.97.071	26	45	4	500
1.97.072	27	45	4	500
1.97.073	28	45	4	500
1.97.074	29	45	4	500
1.97.075	30	45	4	500
1.97.076	31	45	4	500
1.97.077	32	45	4	500
1.97.078	34	45	4	500
1.97.079	36	45	4	500
1.97.080	38	45	4	500
1.97.081	40	45	4	500

Van de Lande BV

Lissenveld 1 \ 4941 VK Raamsdonksveer \ The Netherlands \ t +31 (0)162 51 60 00 \ f +31 (0)162 52 14 17 \ sales@vandelande.com
Traderegister Tilburg: 18070844 \ IBAN: NL13 RABO 0143 0035 26 \ BIC: RABONL2U \ VAT: NL 8123.91.755.B01

All our transactions are subject to the Van de Lande General Terms of Sale. A copy of these can be provided immediately upon your request.