

## 4.32 Nebulizador alta presión

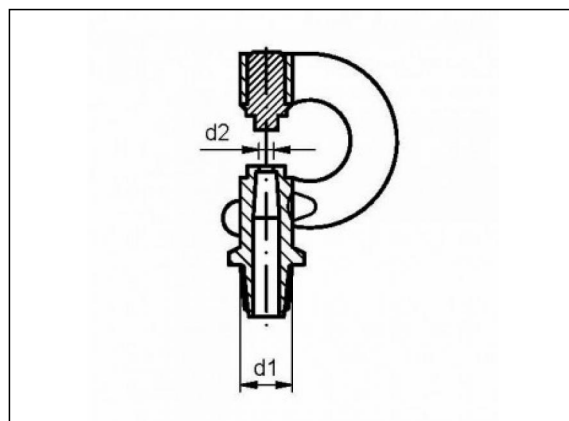
### Información del producto

#### Características

- Rosca macho BSP

#### Fabricación

- Moldeado por inyección



### Artículos disponibles

ART.CODE	Description	d1	d2	Verp
4.32.113	grey white /grijs wit/g rauw eiss/g risbla nc/gri s blanc o	M11	0.75	1000 (4x25 0)

#### Van de Lande BV

Lissenveld 1 \ 4941 VK Raamsdonksveer \ The Netherlands \ t +31 (0)162 51 60 00 \ f +31 (0)162 52 14 17 \ sales@vandelande.com  
Traderegister Tilburg: 18070844 \ IBAN: NL13 RABO 0143 0035 26 \ BIC: RABONL2U \ VAT: NL 8123.91.755.B01

<b>ART.CODE</b>	<b>Descr iption</b>	<b>d1</b>	<b>d2</b>	<b>Verp</b>
4.32.383	grey white /grijs wit/g rauw eiss/g risbla nc/gri s blanc o	WW3 /8"	0.75	1000 (4x25 0)

**Van de Lande BV**

Lissenveld 1 \ 4941 VK Raamsdonksveer \ The Netherlands \ t +31 (0)162 51 60 00 \ f +31 (0)162 52 14 17 \ sales@vandelande.com  
Traderegister Tilburg: 18070844 \ IBAN: NL13 RABO 0143 0035 26 \ BIC: RABONL2U \ VAT: NL 8123.91.755.B01

All our transactions are subject to the Van de Lande General Terms of Sale. A copy of these can be provided immediately upon your request.