

## 4.32 Nebulizador

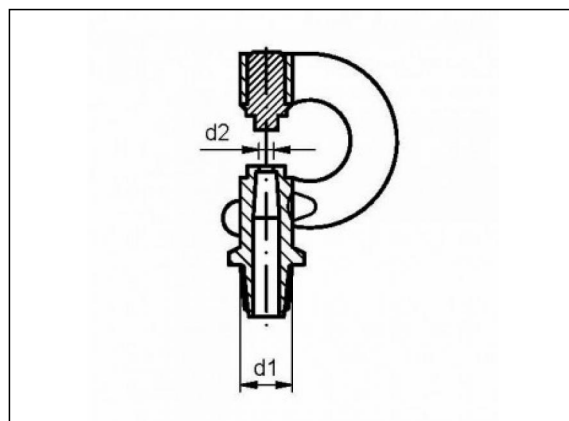
### Información del producto

**Características**

- Rosca macho BSP

**Fabricación**

- Moldeado por inyección



### Artículos disponibles

ART.CODE	Descripción	d1	d2	Verp
4.32.114	blue white /blau wwit/ blau weiss /bleu blanc /azul blanc o	M11	1	1000 (4x25 0)

**Van de Lande BV**

Lissenveld 1 \ 4941 VK Raamsdonksveer \ The Netherlands \ t +31 (0)162 51 60 00 \ f +31 (0)162 52 14 17 \ sales@vandelande.com  
Traderegister Tilburg: 18070844 \ IBAN: NL13 RABO 0143 0035 26 \ BIC: RABONL2U \ VAT: NL 8123.91.755.B01

ART.CODE	Descr iption	d1	d2	Verp
4.32.115	redw hite/r oodw it/rot weiss /roug eblan c/rojo blanc o	M11	1.25	1000 (4x25 0)
4.32.117	black white /zwar twit/s chwa rzwei ss/noi rblan c/neg ro blanc o	M11	1.5	1000 (4x25 0)
4.32.384	blue white /blau wwit/ blau weiss /bleu blanc /azul blanc o	WW3 /8"	1	1000 (4x25 0)
4.32.385	redw hite/r oodw it/rot weiss /roug eblan c/rojo blanc o	WW3 /8"	1.25	1000 (4x25 0)

**Van de Lande BV**

Lissenveld 1 \ 4941 VK Raamsdonksveer \ The Netherlands \ t +31 (0)162 51 60 00 \ f +31 (0)162 52 14 17 \ sales@vandelande.com  
 Traderegister Tilburg: 18070844 \ IBAN: NL13 RABO 0143 0035 26 \ BIC: RABONL2U \ VAT: NL 8123.91.755.B01

[www.vandelande.com](http://www.vandelande.com)

All our transactions are subject to the Van de Lande General Terms of Sale. A copy of these can be provided immediately upon your request.

<b>ART.CODE</b>	<b>Descr iption</b>	<b>d1</b>	<b>d2</b>	<b>Verp</b>
4.32.387	black white /zwar twit/s chwa rzwei ss/noi rblan c/neg ro blanc o	WW3 /8"	1.5	1000 (4x25 0)

**Van de Lande BV**

Lissenveld 1 \ 4941 VK Raamsdonksveer \ The Netherlands \ t +31 (0)162 51 60 00 \ f +31 (0)162 52 14 17 \ sales@vandelande.com  
Traderegister Tilburg: 18070844 \ IBAN: NL13 RABO 0143 0035 26 \ BIC: RABONL2U \ VAT: NL 8123.91.755.B01

All our transactions are subject to the Van de Lande General Terms of Sale. A copy of these can be provided immediately upon your request.