

4.80 Nipple mixto

Información del producto

Material

- PVC-U = cloruro de polivinilo sin plastificar

Juntas

- EPDM

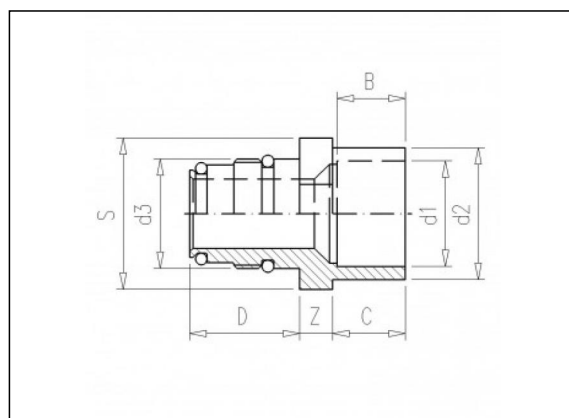
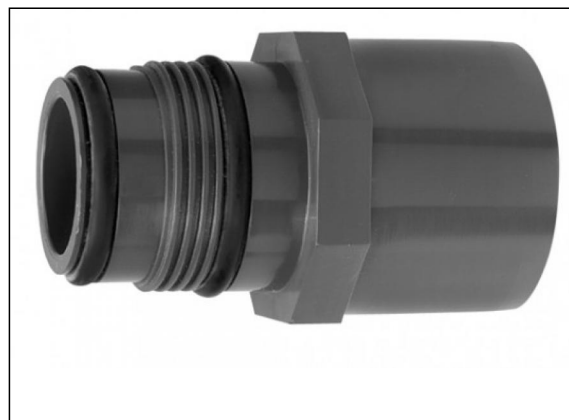
Fabricación

- Moldeado por inyección

Piezas



8.06 Junta
torica



Artículos disponibles

| ART.CODE | d1 | d2 | d3 | Z | B | C | S | D | PN | Verp |
|----------|----|----|-------------|----|----|----|----|----|----|------|
| 4.80.034 | 32 | 40 | SWD R 32 | 10 | 22 | 26 | 46 | 34 | 10 | 100 |
| 4.80.052 | 50 | 63 | SWD R 50 | 11 | 31 | 44 | 64 | 50 | 10 | 50 |

Van de Lande BV

Lissenveld 1 \ 4941 VK Raamsdonksveer \ The Netherlands \ t +31 (0)162 51 60 00 \ f +31 (0)162 52 14 17 \ sales@vandelande.com
 Traderegister Tilburg: 18070844 \ IBAN: NL13 RABO 0143 0035 26 \ BIC: RABONL2U \ VAT: NL 8123.91.755.B01

All our transactions are subject to the Van de Lande General Terms of Sale. A copy of these can be provided immediately upon your request.