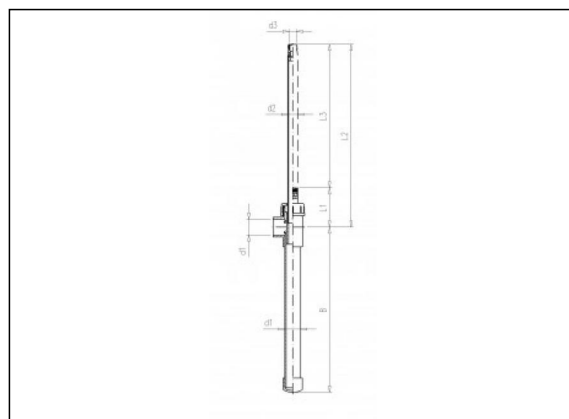


# 5.50 Telescopico

## Información del producto

### Material

- PVC-U = cloruro de polivinilo sin plastificar



## Artículos disponibles

ART.CODE	d1	d2	d3	L1	L2	L3	B	Type	Verp
5.50.010	63	40	1"	150	855	705	770	Stand	10
5.50.011	63	40	1"	150	955	805	870	+10c m	10
5.50.012	63	40	1"	150	1055	905	970	+20c m	10
5.50.013	63	40	1"	150	1155	1005	1070	+30c m	10
5.50.020	63	40	1"	220	925	705	700	Stand	5
5.50.021	63	40	1"	220	1025	805	800	+10c m	5

### Van de Lande BV

Lissenveld 1 \ 4941 VK Raamsdonksveer \ The Netherlands \ t +31 (0)162 51 60 00 \ f +31 (0)162 52 14 17 \ sales@vandelande.com  
 Traderegister Tilburg: 18070844 \ IBAN: NL13 RABO 0143 0035 26 \ BIC: RABONL2U \ VAT: NL 8123.91.755.B01

ART.CODE	d1	d2	d3	L1	L2	L3	B	Type	Verp
5.50.022	63	40	1"	220	1125	905	900	+20c m	5
5.50.023	63	40	1"	220	1225	1005	1000	+30c m	5

**Van de Lande BV**

Lissenveld 1 \ 4941 VK Raamsdonksveer \ The Netherlands \ t +31 (0)162 51 60 00 \ f +31 (0)162 52 14 17 \ sales@vandelande.com  
Traderegister Tilburg: 18070844 \ IBAN: NL13 RABO 0143 0035 26 \ BIC: RABONL2U \ VAT: NL 8123.91.755.B01

All our transactions are subject to the Van de Lande General Terms of Sale. A copy of these can be provided immediately upon your request.