

PVC-C Te 90°

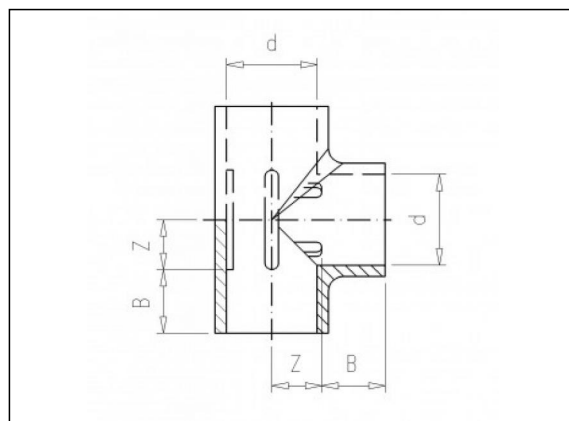
Información del producto

Material

- PVC-C = cloruro de polivinilo postclorado

Fabricación

- Moldeado por inyección



Artículos disponibles

ART.CODE	d	Z	B	PN	Verp
7008202001	20	11	16	16	100
7008202501	25	14	19	16	250
7008203201	32	17.5	22	16	220
7008204001	40	23	26	16	120
7008205001	50	28	31	16	60
7008206301	63	33.5	38	16	30
7008207501	75	39.5	44	16	24
7008209001	90	48	51	16	14
7008211001	110	59	61	16	7

Van de Lande BV

Lissenveld 1 \ 4941 VK Raamsdonksveer \ The Netherlands \ t +31 (0)162 51 60 00 \ f +31 (0)162 52 14 17 \ sales@vandelande.com
Traderegister Tilburg: 18070844 \ IBAN: NL13 RABO 0143 0035 26 \ BIC: RABONL2U \ VAT: NL 8123.91.755.B01

All our transactions are subject to the Van de Lande General Terms of Sale. A copy of these can be provided immediately upon your request.

ART.CODE d Z B PN Verp

Van de Lande BV

Lissenveld 1 \ 4941 VK Raamsdonksveer \ The Netherlands \ t +31 (0)162 51 60 00 \ f +31 (0)162 52 14 17 \ sales@vandelande.com
Traderegister Tilburg: 18070844 \ IBAN: NL13 RABO 0143 0035 26 \ BIC: RABONL2U \ VAT: NL 8123.91.755.B01

All our transactions are subject to the Van de Lande General Terms of Sale. A copy of these can be provided immediately upon your request.