

# WIT203 Te reduit 90°

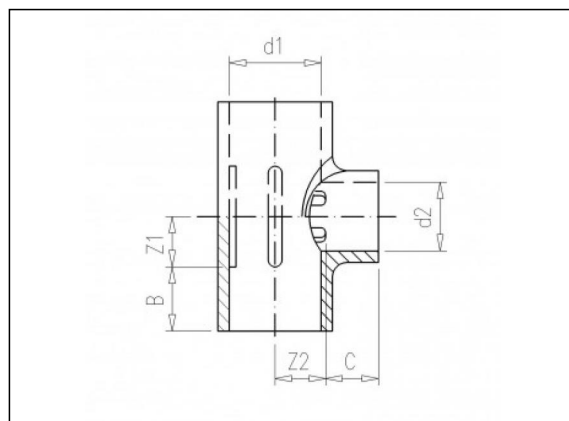
## Información del producto

### Material

- PVC-U = cloruro de polivinilo sin plastificar

### Fabricación

- Moldeado por inyección



## Artículos disponibles

| ART.CODE  | d1 | d2 | Z1 | Z2   | B  | C  | PN | Verp |
|-----------|----|----|----|------|----|----|----|------|
| WIT203013 | 32 | 16 | 18 | 19   | 22 | 14 | 16 | 200  |
| WIT203023 | 40 | 20 | 23 | 23   | 26 | 16 | 16 | 150  |
| WIT203031 | 40 | 32 | 23 | 23   | 26 | 22 | 10 | 140  |
| WIT203041 | 50 | 32 | 28 | 28.5 | 31 | 22 | 10 | 90   |
| WIT203046 | 50 | 40 | 28 | 29   | 31 | 26 | 10 | 90   |
| WIT203065 | 63 | 50 | 34 | 34   | 38 | 31 | 16 | 40   |
| WIT203080 | 75 | 50 | 40 | 40.5 | 44 | 31 | 16 | 28   |
| WIT203095 | 90 | 50 | 46 | 55   | 51 | 31 | 16 | 17   |

### Van de Lande BV

Lissenveld 1 \ 4941 VK Raamsdonksveer \ The Netherlands \ t +31 (0)162 51 60 00 \ f +31 (0)162 52 14 17 \ sales@vandelande.com  
 Traderegister Tilburg: 18070844 \ IBAN: NL13 RABO 0143 0035 26 \ BIC: RABONL2U \ VAT: NL 8123.91.755.B01