

WIT205 Te 90°

Información del producto

Características

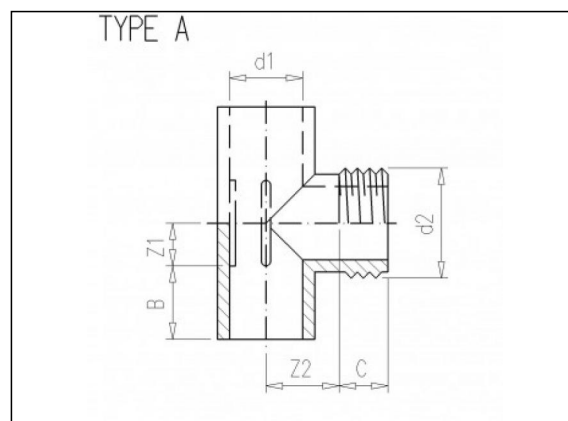
- Rosca macho BSP

Material

- PVC-U = cloruro de polivinilo sin plastificar

Fabricación

- Moldeado por inyección



Artículos disponibles

ART.CODE	d1	d2	Z1	Z2	B	C	Type	PN	Verp
WIT205046	32	1 1/4" (M)	17	29	22	19	A	10	225
WIT205051	1 1/4" (M)	32	26	17	21	22	B	10	175
WIT205066	40	1 1/4" (M)	23	27	26	21	A	10	140
WIT205067	1 1/4" (M)	40	27	23	21	26	B	10	150

Van de Lande BV

Lissenveld 1 \ 4941 VK Raamsdonksveer \ The Netherlands \ t +31 (0)162 51 60 00 \ f +31 (0)162 52 14 17 \ sales@vandelande.com
 Traderegister Tilburg: 18070844 \ IBAN: NL13 RABO 0143 0035 26 \ BIC: RABONL2U \ VAT: NL 8123.91.755.B01

ART.CODE	d1	d2	Z1	Z2	B	C	Type	PN	Verp
WIT205081	50	1 1/4" (M)	28	33	31	21	A	10	90

Van de Lande BV

Lissenveld 1 \ 4941 VK Raamsdonksveer \ The Netherlands \ t +31 (0)162 51 60 00 \ f +31 (0)162 52 14 17 \ sales@vandelande.com
Traderegister Tilburg: 18070844 \ IBAN: NL13 RABO 0143 0035 26 \ BIC: RABONL2U \ VAT: NL 8123.91.755.B01

All our transactions are subject to the Van de Lande General Terms of Sale. A copy of these can be provided immediately upon your request.