

1.14 Curva 15°

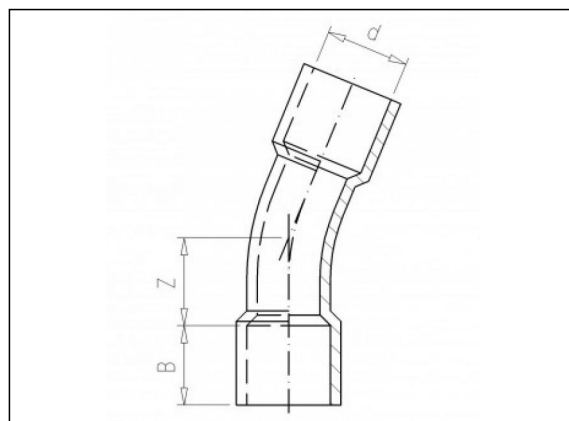
Información del producto

Material

- PVC-U = cloruro de polivinilo sin plastificar

Fabricación

- Hecho de tubo



Artículos disponibles

ART.CODE	d	Z	B	PN	Verp
1.14.090	90	37	51-59	10	25
1.14.110	110	46	61-70	12,5	15
1.14.125	125	53	69-79	12,5	10
1.14.140	140	60	76-87	12,5	7
1.14.160	160	70	86-99	12,5	6
1.14.200	200	87	106-1 22	12,5	36
1.14.225	225	98	119-1 36	12,5	1

Van de Lande BV

Lissenveld 1 \ 4941 VK Raamsdonksveer \ The Netherlands \ t +31 (0)162 51 60 00 \ f +31 (0)162 52 14 17 \ sales@vandelande.com
Traderegister Tilburg: 18070844 \ IBAN: NL13 RABO 0143 0035 26 \ BIC: RABONL2U \ VAT: NL 8123.91.755.B01

ART.CODE	d	Z	B	PN	Verp
1.14.250	250	106	131-1 51	12,5	1
1.14.280	280	116	146-1 68	12,5	12
1.14.315	315	128	164-1 88	12,5	8

Van de Lande BV

Lissenveld 1 \ 4941 VK Raamsdonksveer \ The Netherlands \ t +31 (0)162 51 60 00 \ f +31 (0)162 52 14 17 \ sales@vandelande.com
Traderegister Tilburg: 18070844 \ IBAN: NL13 RABO 0143 0035 26 \ BIC: RABONL2U \ VAT: NL 8123.91.755.B01

All our transactions are subject to the Van de Lande General Terms of Sale. A copy of these can be provided immediately upon your request.