

# 1.40 Manchon de transición

## Información del producto

### Características

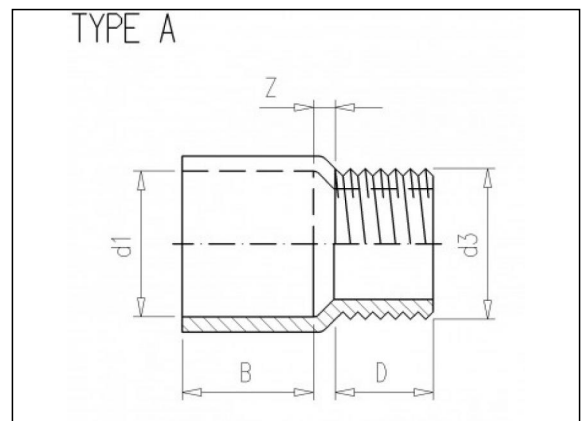
- Rosca macho BSP
- Recta rosca macho BSP

### Material

- PVC-U = cloruro de polivinilo sin plastificar

### Fabricación

- Hecho de tubo



## Artículos disponibles

ART.CODE	d1	d2	d3	Z	B	C	D	Type	PN	Verp
1.40.010	25	-	1/2" (M)	11	19	-	13	A	16	300
1.40.015	25	-	3/4" (M)	10	19	-	14	A	16	300
1.40.020	25	32	1" (M)	-	19	22	19	B	16	300
1.40.025	32	-	1/2" (M)	17	22	-	13	A	10	400
1.40.030	32	-	3/4" (M)	14	22	-	14	A	16	350
1.40.035	32	-	1" (M)	9	22	-	17	A	16	300

### Van de Lande BV

Lissenveld 1 \ 4941 VK Raamsdonksveer \ The Netherlands \ t +31 (0)162 51 60 00 \ f +31 (0)162 52 14 17 \ sales@vandelande.com  
 Traderegister Tilburg: 18070844 \ IBAN: NL13 RABO 0143 0035 26 \ BIC: RABONL2U \ VAT: NL 8123.91.755.B01

ART.CODE	d1	d2	d3	Z	B	C	D	Type	PN	Verp
1.40.040	32	40	1 1/4" (M)	-	22	26	21	B	16	300
1.40.045	40	-	1" (M)	18	26	-	17	A	16	300
1.40.050	40	-	1 1/4" (M)	10	26	-	18	A	16	300
1.40.055	40	48	1 1/2" (M)	10	26	36	23	B	16	300
1.40.060	50	-	1 1/4" (M)	14	31	-	18	A	16	200
1.40.065	50	-	1 1/2" (M)	13	31	-	21	A	16	200
1.40.070	50	60	2" (M)	10	32	43	27	B	16	200
1.40.075	63	-	1 1/4" (M)	31	38	-	18	A	10	100
1.40.080	63	-	1 1/2" (M)	27	38	-	18	A	16	100
1.40.085	63	-	2" (M)	16	38	-	19	A	16	100
1.40.090	63	75	2 1/2" (M)	-	38	44	29	B	16	100
1.40.095	75	-	1 1/4" (M)	42	44	-	18	A	10	75
1.40.100	75	-	1 1/2" (M)	36	44	-	19	A	10	75
1.40.105	75	-	2" (M)	26	44	-	19	A	16	75
1.40.110	75	-	2 1/2" (M)	15	44	-	29	A	16	80
1.40.115	75	90	3" (M)	-	44	51	34	B	16	50
1.40.120	90	-	2" (M)	40	51	-	20	A	10	45
1.40.125	90	-	2 1/2" (M)	27	51	-	29	A	16	55

**Van de Lande BV**

Lissenveld 1 \ 4941 VK Raamsdonksveer \ The Netherlands \ t +31 (0)162 51 60 00 \ f +31 (0)162 52 14 17 \ sales@vandelande.com  
 Traderegister Tilburg: 18070844 \ IBAN: NL13 RABO 0143 0035 26 \ BIC: RABONL2U \ VAT: NL 8123.91.755.B01

[www.vandelande.com](http://www.vandelande.com)

All our transactions are subject to the Van de Lande General Terms of Sale. A copy of these can be provided immediately upon your request.

ART.CODE	d1	d2	d3	Z	B	C	D	Type	PN	Verp
1.40.130	90	-	3" (M)	18	51	-	30	A	16	36
1.40.135	90	110	4" (M)	-	51	66	33	B	16	24
1.40.140	110	-	2 1/2" (M)	45	61	-	29	A	10	24
1.40.145	110	-	3" (M)	40	61	-	30	A	16	32
1.40.150	110		4" (M)	12	61		33	A	16	27
1.40.155	125	-	3" (M)	47	69	-	30	A	16	24
1.40.160	125	-	4" (M)	32	69	-	33	A	16	24
1.40.165	125	140	5" (M)	-	69	76	40	B	16	18
1.40.167	140	-	4" (M)	37	76	-	33	A	16	12
1.40.168	140	-	5" (M)	25	76	-	36	A	16	12
1.40.169	140	160	6" (M)	-	76	87	45	B	16	10
1.40.170	160	-	4" (M)	44	86	-	33	A	16	8
1.40.175	160	-	5" (M)	22	86	-	36	A	16	8
1.40.180	160	-	6" (M)	25	86	-	39	A	16	8
1.40.185	200	-	6" (M)	50	106	-	39	A	10	4

**Van de Lande BV**

Lissenveld 1 \ 4941 VK Raamsdonksveer \ The Netherlands \ t +31 (0)162 51 60 00 \ f +31 (0)162 52 14 17 \ sales@vandelande.com  
 Traderegister Tilburg: 18070844 \ IBAN: NL13 RABO 0143 0035 26 \ BIC: RABONL2U \ VAT: NL 8123.91.755.B01

[www.vandelande.com](http://www.vandelande.com)