

2.07 TE 90°

Información del producto

Características

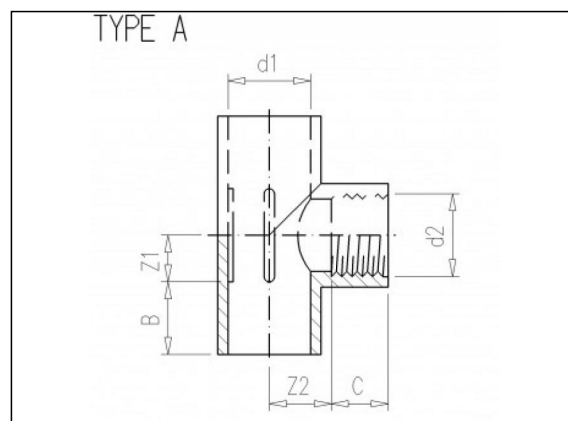
- Rosca hembra BSP
- Anillo de refuerzo INOX

Material

- PVC-U = cloruro de polivinilo sin plastificar

Fabricación

- Moldeado por inyección



Artículos disponibles

ART.CODE	d1	d2	Z1	Z2	B	C	Type	PN	Verp
2.07.016	16	3/8" (F)	9	11	14	12	A	10	100
2.07.017	16	3/8" (F)	9	11	14	12	B	16	50
2.07.020	20	1/2" (F)	11	12	16	16	A	10	100
2.07.021	20	1/2" (F)	11	12	16	16	B	16	50
2.07.023	25	1/2" (F)	14	14	19	16	A	10	200

Van de Lande BV

Lissenveld 1 \ 4941 VK Raamsdonksveer \ The Netherlands \ t +31 (0)162 51 60 00 \ f +31 (0)162 52 14 17 \ sales@vandelande.com
 Traderegister Tilburg: 18070844 \ IBAN: NL13 RABO 0143 0035 26 \ BIC: RABONL2U \ VAT: NL 8123.91.755.B01

ART.CODE	d1	d2	Z1	Z2	B	C	Type	PN	Verp
2.07.024	25	1/2" (F)	14	14	19	16	B	16	50
2.07.025	25	3/4" (F)	14	16	19	17	A	10	200
2.07.026	25	3/4" (F)	14	16	19	17	B	16	50
2.07.028	32	1/2" (F)	17	17	22	16	A	10	100
2.07.029	32	1/2" (F)	17	17	22	16	B	16	50
2.07.032	32	1" (F)	17	19	22	20	A	10	100
2.07.033	32	1" (F)	17	19	22	20	B	16	50
2.07.040	40	1 1/4" (F)	23	26.5	26	22	A	10	100
2.07.041	40	1 1/4" (F)	23	26.5	26	22	B	16	50
2.07.050	50	1 1/2" (F)	27	37	32	22	A	10	50
2.07.051	50	1 1/2" (F)	27	37	32	22	B	16	50
2.07.063	63	2" (F)	34	41.5	38	30	A	10	25
2.07.064	63	2" (F)	34	41.5	38	30	B	16	25
2.07.076	75	2 1/2" (F)	40	53	44	31	B	10	18
2.07.091	90	3" (F)	48	62	52	39	B	10	10
2.07.111	110	4" (F)	62	84	62	41	B	10	7

Van de Lande BV

Lissenveld 1 \ 4941 VK Raamsdonksveer \ The Netherlands \ t +31 (0)162 51 60 00 \ f +31 (0)162 52 14 17 \ sales@vandelande.com
 Traderegister Tilburg: 18070844 \ IBAN: NL13 RABO 0143 0035 26 \ BIC: RABONL2U \ VAT: NL 8123.91.755.B01

www.vandelande.com

All our transactions are subject to the Van de Lande General Terms of Sale. A copy of these can be provided immediately upon your request.