

2.08 TE 45°

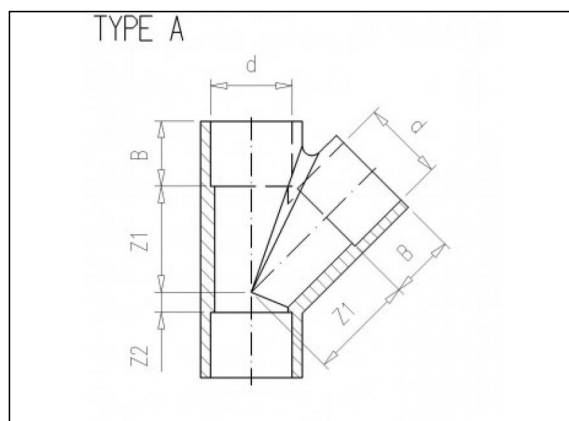
Información del producto

Material

- PVC-U = cloruro de polivinilo sin plastificar

Fabricación

- Moldeado por inyección



Artículos disponibles

ART.CODE	d	Z1	Z2	B	Type	PN	Verp
2.08.010	10	18	4	12	A	16	150
2.08.012	12	21	4	12	A	16	150
2.08.016	16	25	5	14	A	16	150
2.08.020	20	29.5	6	17	A	16	150
2.08.025	25	35.5	7.5	19	A	16	150
2.08.032	32	44.5	9	23	A	16	100
2.08.040	40	56	10	27	A	16	75
2.08.050	50	69	12	32	A	16	40
2.08.063	63	86	14	38	A	10	25

Van de Lande BV

Lissenveld 1 \ 4941 VK Raamsdonksveer \ The Netherlands \ t +31 (0)162 51 60 00 \ f +31 (0)162 52 14 17 \ sales@vandelande.com
 Traderegister Tilburg: 18070844 \ IBAN: NL13 RABO 0143 0035 26 \ BIC: RABONL2U \ VAT: NL 8123.91.755.B01

ART.CODE	d	Z1	Z2	B	Type	PN	Verp
2.08.075	75	102	17	44	A	10	16
2.08.090	90	121	20	51	A	10	9
2.08.111	110	159	32	61	B	10	3
2.08.125	125	167	30	69	A	10	3
2.08.140	140	190	34	76	A	10	2
2.08.161	160	213	41	86	B	10	2
2.08.200	200	266	49	107	B	6	1
2.08.225	225	297	55	120	B	6	1
2.08.250	250	330	60	132	B	6	1

Van de Lande BV

Lissenveld 1 \ 4941 VK Raamsdonksveer \ The Netherlands \ t +31 (0)162 51 60 00 \ f +31 (0)162 52 14 17 \ sales@vandelande.com
Traderegister Tilburg: 18070844 \ IBAN: NL13 RABO 0143 0035 26 \ BIC: RABONL2U \ VAT: NL 8123.91.755.B01

All our transactions are subject to the Van de Lande General Terms of Sale. A copy of these can be provided immediately upon your request.