

2.29 Codo 90°

Información del producto

Características

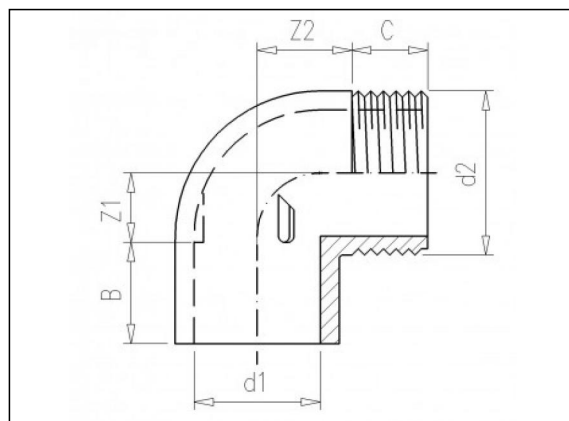
- Rosca macho BSP

Material

- PVC-U = cloruro de polivinilo sin plastificar

Fabricación

- Moldeado por inyección



Artículos disponibles

ART.CODE	d1	d2	Z1	Z2	B	C	PN	Verp
2.29.010	20	3/4" (M)	11	17	16	16	16	200
2.29.020	25	1" (M)	14	20	19	19	16	350
2.29.030	32	3/4" (M)	22	30	22	19	10	250
2.29.040	32	1" (M)	22	30	22	19	10	250
2.29.051	32	1 1/4" (M)	17	24	22	21	10	250

Van de Lande BV

Lissenveld 1 \ 4941 VK Raamsdonksveer \ The Netherlands \ t +31 (0)162 51 60 00 \ f +31 (0)162 52 14 17 \ sales@vandelande.com
 Traderegister Tilburg: 18070844 \ IBAN: NL13 RABO 0143 0035 26 \ BIC: RABONL2U \ VAT: NL 8123.91.755.B01

ART.CODE	d1	d2	Z1	Z2	B	C	PN	Verp
2.29.061	40	1 1/4" (M)	23	28	26	21	10	200
2.29.071	40	1 1/2" (M)	23	28	26	21	10	175
2.29.081	50	1 1/4" (M)	28	34	31	21	10	150
2.29.091	50	1 1/2" (M)	28	34	31	21	10	125
2.29.101	50	2" (M)	28	33	31	26	10	100

Van de Lande BV

Lissenveld 1 \ 4941 VK Raamsdonksveer \ The Netherlands \ t +31 (0)162 51 60 00 \ f +31 (0)162 52 14 17 \ sales@vandelande.com
Traderegister Tilburg: 18070844 \ IBAN: NL13 RABO 0143 0035 26 \ BIC: RABONL2U \ VAT: NL 8123.91.755.B01

www.vandelande.com

All our transactions are subject to the Van de Lande General Terms of Sale. A copy of these can be provided immediately upon your request.