

## 3.15 Manchon de transición

### Información del producto

#### Características

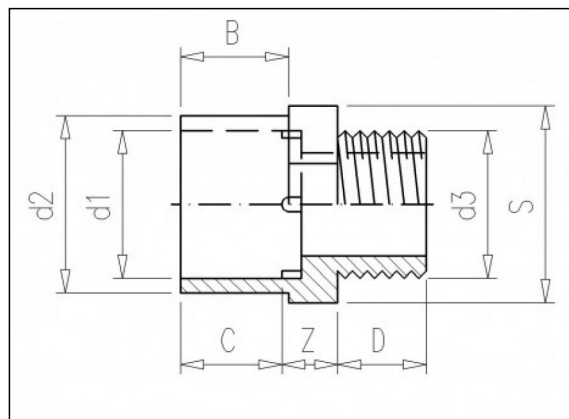
- Rosca macho BSP

#### Material

- PVC-U = cloruro de polivinilo sin plastificar

#### Fabricación

- Moldeado por inyección



### Artículos disponibles

| ART.CODE | d1 | d2  | d3          | Z | B  | C  | D  | S  | PN | Verp |
|----------|----|-----|-------------|---|----|----|----|----|----|------|
| 3.15.010 | 10 | 16  | 1/4"<br>(M) | 8 | 12 | 12 | 12 | 19 | 16 | 250  |
| 3.15.020 | 12 | 16  | 1/4"<br>(M) | 8 | 12 | 12 | 12 | 19 | 16 | 250  |
| 3.15.030 | 16 | 23* | 1/4"<br>(M) | 6 | 12 | 14 | 12 | 27 | 16 | 250  |
| 3.15.035 | 16 | 23* | 3/8"<br>(M) | 6 | 12 | 14 | 12 | 27 | 16 | 250  |
| 3.15.040 | 16 | 23* | 1/2"<br>(M) | 6 | 12 | 14 | 16 | 27 | 16 | 250  |

#### Van de Lande BV

Lissenveld 1 \ 4941 VK Raamsdonksveer \ The Netherlands \ t +31 (0)162 51 60 00 \ f +31 (0)162 52 14 17 \ sales@vandelande.com  
 Traderegister Tilburg: 18070844 \ IBAN: NL13 RABO 0143 0035 26 \ BIC: RABONL2U \ VAT: NL 8123.91.755.B01

| ART.CODE | d1 | d2  | d3               | Z  | B  | C  | D  | S  | PN | Verp |
|----------|----|-----|------------------|----|----|----|----|----|----|------|
| 3.15.045 | 20 | 28* | 3/8"<br>(M)      | 6  | 14 | 16 | 12 | 32 | 16 | 250  |
| 3.15.050 | 20 | 28* | 1/2"<br>(M)      | 6  | 14 | 16 | 16 | 32 | 16 | 250  |
| 3.15.055 | 20 | 28* | 3/4"<br>(M)      | 6  | 14 | 16 | 17 | 32 | 16 | 250  |
| 3.15.060 | 25 | 32  | 1/2"<br>(M)      | 8  | 19 | 19 | 16 | 36 | 16 | 300  |
| 3.15.065 | 25 | 32  | 3/4"<br>(M)      | 6  | 19 | 19 | 19 | 36 | 16 | 300  |
| 3.15.070 | 25 | 32  | 1" (M)           | 9  | 19 | 19 | 20 | 36 | 16 | 300  |
| 3.15.075 | 32 | 40  | 1/2"<br>(M)      | 10 | 22 | 22 | 16 | 46 | 16 | 250  |
| 3.15.080 | 32 | 40  | 3/4"<br>(M)      | 10 | 22 | 22 | 17 | 46 | 16 | 300  |
| 3.15.085 | 32 | 40  | 1" (M)           | 10 | 22 | 22 | 21 | 46 | 16 | 300  |
| 3.15.090 | 32 | 40  | 1<br>1/4"<br>(M) | 10 | 22 | 22 | 23 | 46 | 16 | 300  |
| 3.15.092 | 40 | 50  | 1/2"<br>(M)      | 11 | 26 | 26 | 16 | 55 | 16 | 225  |
| 3.15.093 | 40 | 50  | 3/4"<br>(M)      | 11 | 26 | 26 | 17 | 55 | 16 | 225  |
| 3.15.095 | 40 | 50  | 1" (M)           | 11 | 26 | 26 | 21 | 55 | 16 | 225  |
| 3.15.100 | 40 | 50  | 1<br>1/4"<br>(M) | 11 | 26 | 26 | 23 | 55 | 16 | 200  |
| 3.15.105 | 40 | 50  | 1<br>1/2"<br>(M) | 11 | 26 | 26 | 23 | 55 | 16 | 175  |
| 3.15.110 | 50 | 63  | 1" (M)           | 12 | 31 | 31 | 21 | 65 | 16 | 150  |
| 3.15.115 | 50 | 63  | 1<br>1/4"<br>(M) | 12 | 31 | 31 | 23 | 65 | 16 | 150  |
| 3.15.120 | 50 | 63  | 1<br>1/2"<br>(M) | 12 | 31 | 31 | 23 | 65 | 16 | 150  |
| 3.15.125 | 50 | 63  | 2" (M)           | 14 | 31 | 31 | 25 | 65 | 16 | 150  |
| 3.15.130 | 63 | 75  | 1<br>1/4"<br>(M) | 19 | 44 | 38 | 23 | 80 | 16 | 80   |

**Van de Lande BV**

Lissenveld 1 \ 4941 VK Raamsdonksveer \ The Netherlands \ t +31 (0)162 51 60 00 \ f +31 (0)162 52 14 17 \ sales@vandelande.com  
 Traderegister Tilburg: 18070844 \ IBAN: NL13 RABO 0143 0035 26 \ BIC: RABONL2U \ VAT: NL 8123.91.755.B01

[www.vandelande.com](http://www.vandelande.com)

All our transactions are subject to the Van de Lande General Terms of Sale. A copy of these can be provided immediately upon your request.

| ART.CODE | d1  | d2   | d3               | Z  | B  | C  | D  | S   | PN | Verp |
|----------|-----|------|------------------|----|----|----|----|-----|----|------|
| 3.15.135 | 63  | 75   | 1<br>1/2"<br>(M) | 19 | 44 | 38 | 23 | 80  | 16 | 80   |
| 3.15.140 | 63  | 75   | 2" (M)           | 19 | 44 | 38 | 27 | 80  | 16 | 80   |
| 3.15.145 | 63  | 75   | 2<br>1/2"<br>(M) | 19 | 44 | 38 | 31 | 80  | 16 | 90   |
| 3.15.150 | 75  | 90   | 2" (M)           | 26 | 51 | 44 | 26 | 95  | 16 | 48   |
| 3.15.155 | 75  | 90   | 2<br>1/2"<br>(M) | 27 | 51 | 44 | 30 | 95  | 16 | 48   |
| 3.15.160 | 75  | 90   | 3" (M)           | 28 | 51 | 44 | 33 | 95  | 16 | 48   |
| 3.15.165 | 90  | 110  | 2<br>1/2"<br>(M) | 31 | 61 | 51 | 31 | 115 | 16 | 27   |
| 3.15.170 | 90  | 110  | 3" (M)           | 31 | 61 | 51 | 33 | 115 | 16 | 27   |
| 3.15.175 | 90  | 110  | 4" (M)           | 31 | 61 | 51 | 40 | 115 | 16 | 27   |
| 3.15.180 | 110 | 132* | 3" (M)           | 25 | 61 | 61 | 33 | 138 | 16 | 20   |
| 3.15.185 | 110 | 132* | 4" (M)           | 25 | 61 | 61 | 40 | 138 | 16 | 18   |

**Van de Lande BV**

Lissenveld 1 \ 4941 VK Raamsdonksveer \ The Netherlands \ t +31 (0)162 51 60 00 \ f +31 (0)162 52 14 17 \ sales@vandelande.com  
 Traderegister Tilburg: 18070844 \ IBAN: NL13 RABO 0143 0035 26 \ BIC: RABONL2U \ VAT: NL 8123.91.755.B01

[www.vandelande.com](http://www.vandelande.com)

All our transactions are subject to the Van de Lande General Terms of Sale. A copy of these can be provided immediately upon your request.