

3.25 Manguito transicion

Información del producto

Características

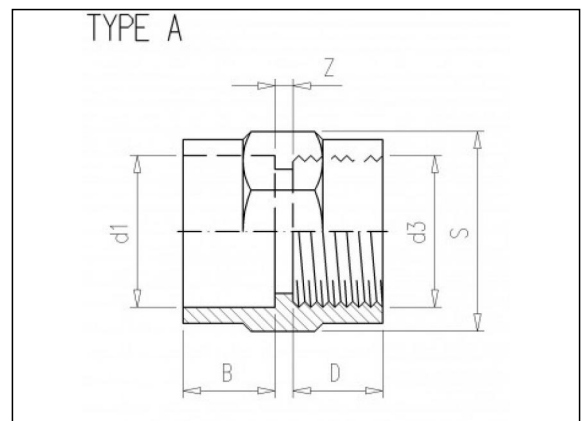
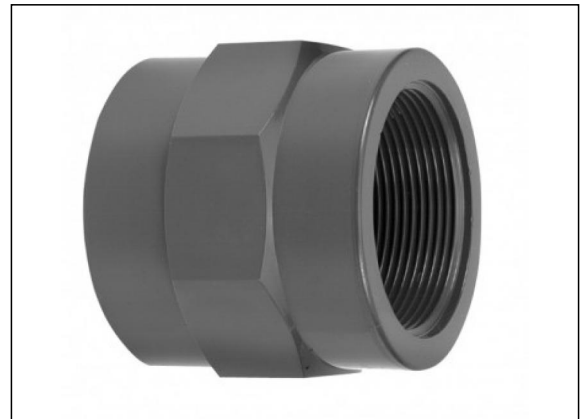
- Rosca hembra BSP
- Anillo de refuerzo INOX

Material

- PVC-U = cloruro de polivinilo sin plastificar

Fabricación

- Moldeado por inyección



Artículos disponibles

ART.CODE	d1	d3	Z	B	D	S	Type	PN	Verp
3.25.010	12	1/4" (F)	2	12	12	24	A	16	100
3.25.013	16	1/4" (F)	3	14	12	27	A	16	100
3.25.015	16	3/8" (F)	3	14	12	27	A	10	100
3.25.016	16	3/8" (F)	3	14	12	27	B	16	50
3.25.017	20	1/4" (F)	5	16	12	32	A	16	50

Van de Lande BV

Lissenveld 1 \ 4941 VK Raamsdonksveer \ The Netherlands \ t +31 (0)162 51 60 00 \ f +31 (0)162 52 14 17 \ sales@vandelande.com
 Traderegister Tilburg: 18070844 \ IBAN: NL13 RABO 0143 0035 26 \ BIC: RABONL2U \ VAT: NL 8123.91.755.B01

ART.CODE	d1	d3	Z	B	D	S	Type	PN	Verp
3.25.018	20	3/8" (F)	5	16	12	32	A	16	100
3.25.020	20	1/2" (F)	2	16	15	32	A	10	100
3.25.021	20	1/2" (F)	2	16	15	32	B	16	50
3.25.026	25	1/2" (F)	5	19	15	36	A	16	100
3.25.028	25	3/8" (F)	8	19	12	36	A	16	50
3.25.030	25	3/4" (F)	4	19	16	36	A	10	100
3.25.031	25	3/4" (F)	4	19	16	36	B	16	50
3.25.036	32	1/2" (F)	10	22	15	46	A	16	100
3.25.041	32	3/4" (F)	9	22	16	46	A	16	100
3.25.045	32	1" (F)	3	22	22	46	A	10	100
3.25.046	32	1" (F)	3	22	22	46	B	16	50
3.25.048	40	3/4" (F)	6	26	16	55	A	10	150
3.25.049	40	3/4" (F)	6	26	16	55	B	16	50
3.25.051	40	1" (F)	4	26	22	55	A	16	100
3.25.055	40	1 1/4" (F)	3	26	23	55	A	10	100
3.25.056	40	1 1/4" (F)	3	26	23	55	B	16	50
3.25.058	50	1" (F)	2	31	22	66	A	10	100
3.25.059	50	1" (F)	2	31	22	66	B	16	75
3.25.061	50	1 1/4" (F)	4	31	23	66	A	16	100
3.25.065	50	1 1/2" (F)	2	31	25	66	A	10	100

Van de Lande BV

Lissenveld 1 \ 4941 VK Raamsdonksveer \ The Netherlands \ t +31 (0)162 51 60 00 \ f +31 (0)162 52 14 17 \ sales@vandelande.com
 Traderegister Tilburg: 18070844 \ IBAN: NL13 RABO 0143 0035 26 \ BIC: RABONL2U \ VAT: NL 8123.91.755.B01

www.vandelande.com

All our transactions are subject to the Van de Lande General Terms of Sale. A copy of these can be provided immediately upon your request.

ART.CODE	d1	d3	Z	B	D	S	Type	PN	Verp
3.25.066	50	1 1/2" (F)	2	31	25	66	B	16	50
3.25.067	63	1 1/4" (F)	3	38	23	80	A	10	50
3.25.067.1	63	1 1/4" (F)	3	38	23	80	B	16	50
3.25.069	63	1 1/2" (F)	5	38	25	80	A	16	50
3.25.070	63	2" (F)	3	38	27	80	A	10	50
3.25.071	63	2" (F)	3	38	27	80	B	16	25
3.25.076	75	1 1/2" (F)	5	44	23	96	A	10	40
3.25.077	75	1 1/2" (F)	5	44	23	96	B	16	40
3.25.078	75	2" (F)	4	44	27	96	A	10	45
3.25.079	75	2"(F)	4	44	27	96	B	16	35
3.25.081	75	2 1/2" (F)	4	44	31	96	B	10	40
3.25.091	90	3" (F)	4	51	36	114	B	10	24
3.25.101	110	4" (F)	6	56	45	137	B	10	15

Van de Lande BV

Lissenveld 1 \ 4941 VK Raamsdonksveer \ The Netherlands \ t +31 (0)162 51 60 00 \ f +31 (0)162 52 14 17 \ sales@vandelande.com
 Traderegister Tilburg: 18070844 \ IBAN: NL13 RABO 0143 0035 26 \ BIC: RABONL2U \ VAT: NL 8123.91.755.B01

www.vandelande.com

All our transactions are subject to the Van de Lande General Terms of Sale. A copy of these can be provided immediately upon your request.