

5.26 Abrazadera para tubo

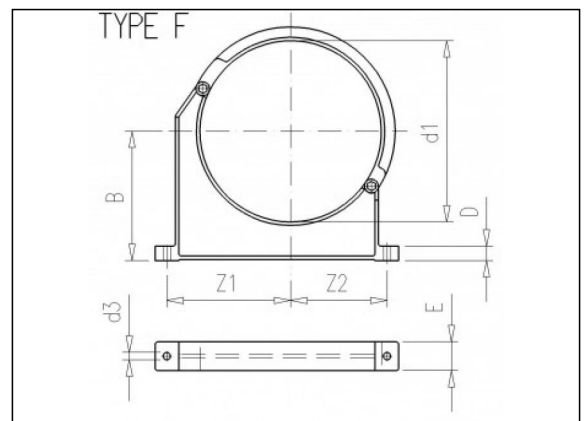
Información del producto

Material

- PP = polipropileno

Fabricación

- Moldeado por inyección



Artículos disponibles

ART.CODE	d1	d3	Z1	Z2	B	D	E	Type	Verp
5.26.090	90	9	89	71	105	15	33	F	60
5.26.110	110	9	94	81	115	15	33	F	40
5.26.125	125	11	116	92	130	20	35	F	20
5.26.140	140	11	121	99	130	20	35	F	40
5.26.160	160	11	130.5	106.5	147.5	20	35	F	20
5.26.180	180	11	142.5	115	162.5	20	35	F	10
5.26.200	200	13	151.5	119.5	175	25	40	F	10
5.26.225	225	13	164.5	131.5	175	25	40	F	10
5.26.250	250	13	182.5	142.5	200	25	40	F	10

Van de Lande BV

Lissenveld 1 \ 4941 VK Raamsdonksveer \ The Netherlands \ t +31 (0)162 51 60 00 \ f +31 (0)162 52 14 17 \ sales@vandelande.com
 Traderegister Tilburg: 18070844 \ IBAN: NL13 RABO 0143 0035 26 \ BIC: RABONL2U \ VAT: NL 8123.91.755.B01

ART.CODE	d1	d3	Z1	Z2	B	D	E	Type	Verp
5.26.280	280	13	197.5	155.5	200	25	40	F	10
5.26.315	315	13	218.5	171.5	225	25	40	F	10
5.26.355	355	17	276	210	257	30	50	F	10
5.26.400	400	17	301	230	288	30	50	F	10

Van de Lande BV

Lissenveld 1 \ 4941 VK Raamsdonksveer \ The Netherlands \ t +31 (0)162 51 60 00 \ f +31 (0)162 52 14 17 \ sales@vandelande.com
Traderegister Tilburg: 18070844 \ IBAN: NL13 RABO 0143 0035 26 \ BIC: RABONL2U \ VAT: NL 8123.91.755.B01

All our transactions are subject to the Van de Lande General Terms of Sale. A copy of these can be provided immediately upon your request.